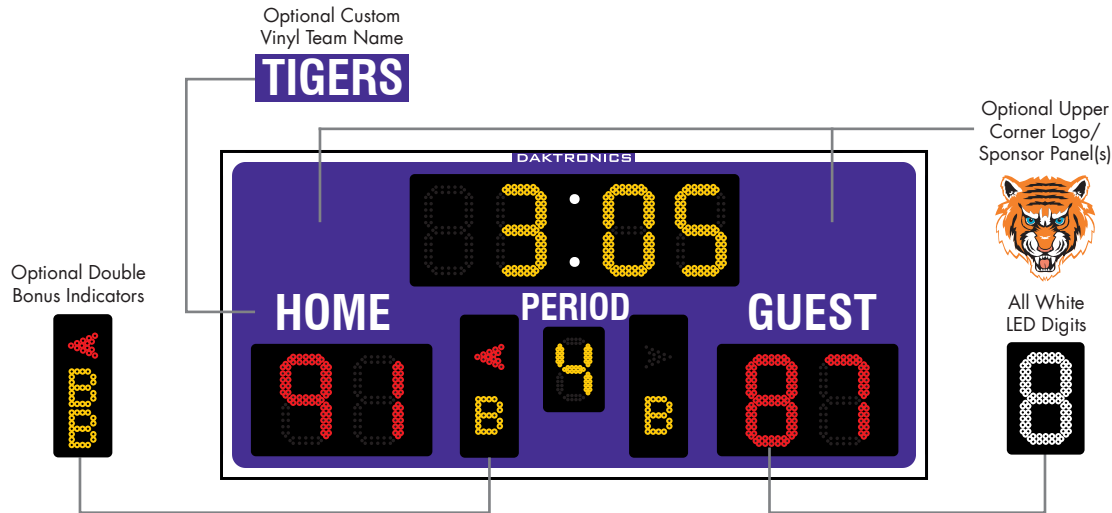


DAKTRONICS BB-2142 PRODUCT SPECIFICATIONS



This indoor single-sided LED basketball scoreboard displays period time to 99:59, HOME and GUEST scores to 99, PERIOD to nine and indicates possession and bonus. Scoreboard can also score volleyball and wrestling. When period time is less than one minute, the scoreboard displays time to 1/10 of a second.

POWER (120 VAC)*	UNCRATED WEIGHT	DIMENSIONS
110 Watts, 1.0 Amp	80 lb (36 kg)	3'-0" H x 6'-6" W x 6" D (914 mm x 1.98 m x 152 mm)

*Models with 240 VAC power at half the indicated amperage are also offered (International Use Only).

DIGITS & INDICATORS

- Period digit is 7" (178 mm) high. All other digits are 10" (254 mm) high. Bonus indicators are 4" (102 mm) high and possession arrows are 3" (76 mm) high.
- Scoreboard features PanaView® LED digit technology.
- Scoreboard comes with choice of LED colors:
 - > **Red/Amber LEDs:** clock digits, PERIOD digit and Bonus indicators are amber. Score digits and possession indicators are red.
 - > **White LEDs:** all digits and indicators are white.

CAPTIONS & STRIPING

- HOME and GUEST captions are 4" (102 mm) high. PERIOD caption is 3" (76 mm) high.
- Standard captions and border striping are white vinyl. Choose another vinyl color at no additional cost (see [DD2101644](#)).

DISPLAY COLOR

Choose a color from the Daktronics standard paint book (see [SL-02730](#)).

CONSTRUCTION

Durable, lightweight aluminum Tuff Sport® cabinet withstands high-velocity impact from air-filled sports balls without the need for protective screens.

PRODUCT SAFETY APPROVAL

ETL-listed, tested to CSA standards, and CE-labeled **for indoor use only**

OPERATING TEMPERATURES

- Display: -22° to 122° Fahrenheit (-30° to 50° Celsius)
- Console: 32° to 130° Fahrenheit (0° to 54° Celsius)

DAKTRONICS BB-2142 PRODUCT SPECIFICATIONS

CONTROL CONSOLES	CONTROL OPTIONS
All Sport® 1600 (see SL-04352) or All Sport 5000 (see SL-03991)	Wireless: 2.4 GHz spread spectrum radio features 64 non-interfering channels and 8 broadcast groups (see SL-04370). This is a popular upgrade. Wired: One-pair shielded cable of 22 AWG minimum is required. A cover plate with mounted connector and standard 2" x 4" x 2" (51 mm x 102 mm x 51 mm) outlet box is provided. Connector mates with signal cable from control console.
RC-200 (see DD3715714)	Wireless handheld controller features 2.4 GHz spread spectrum radio with 64 non-interfering channels and 8-10 hours of operation via internal rechargeable battery.
DAK Score & MX-1 (see DD3888368)	CUSTOMER-SUPPLIED mobile device or tablet with DAK Score app installed communicates via Bluetooth® wireless technology to an MX-1 Interface Box that controls the scoreboard through 2.4 GHz radio or wired connection.

Note: All Sport 5000 required when paired with statistics displays.

HORN

A vibrating horn, mounted behind the scoreboard face, sounds automatically when period/timeout clock counts down to zero or manually as controlled by the operator.

SEGMENT TIMER MODE

The segment timer mode is ideal for keeping practices on schedule. The horn at the end of a segment allows coaches and athletes to focus on the practice and to listen for the horn when it is time to change drills (see [SL-04004](#)).

TIME OF DAY MODE

This scoreboard features a Time of Day (TOD) mode that allows it to act as a clock when the control console is unplugged or off. Refer to the scoreboard installation manual for instructions on how to enable the Time of Day mode.

GENERAL INFORMATION

Scoreboard provides scoring capabilities for two teams. 100% solid state electronics are housed in an all aluminum cabinet. Scoreboard arrives at the site fully assembled. Mounting hardware not included. Specifications and pricing are subject to change without notice.

FAN FAVORITE OPTIONS

These are the most commonly requested enhancements:

- Custom vinyl team name caption in place of HOME
- 12" tall x 16" wide (305 mm x 406 mm) logo/sponsor panels in upper corners
- Double bonus indicators

OTHER ACCESSORIES & UPGRADES

The options below are available for additional customization:

- Different sounding 12 VDC horn in place of buzzer
- Protective screen (see [SL-02551](#))
- Suspension installation kit *or* corner mounting kit

COMPLETE YOUR SYSTEM

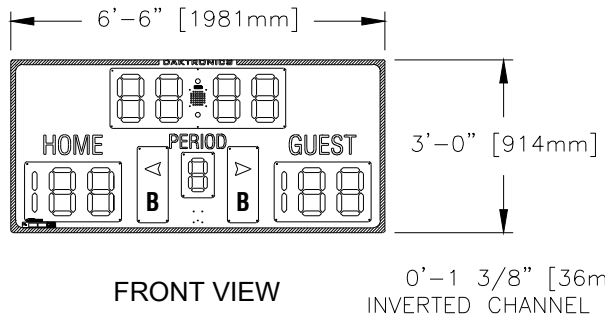
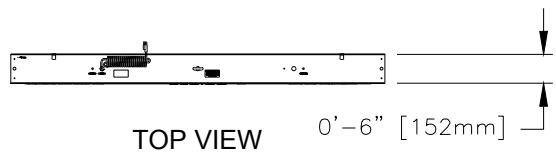
Contact Daktronics about adding any of this equipment to create a unique scoring and display system:

- Backlit advertising/ID panels (see [SL-03664](#))
- Non-backlit advertising/ID panels (see [SL-03917](#))
- Decorative accents
- Statistic displays, shot clocks, and light strips
- Sportsound® Indoor Audio
- Video displays
- Live web streaming of scores and stats

FOR ADDITIONAL INFORMATION

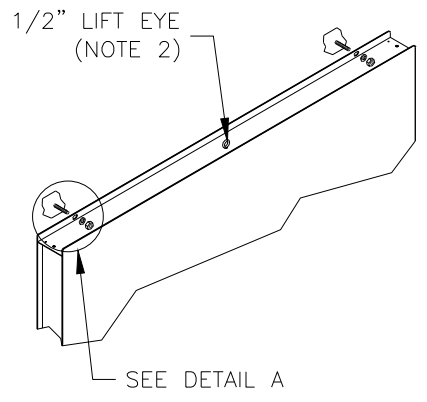
- Mechanical Specifications: DWG-1131080 (attached)
- Component Locations: DWG-1131079 (attached)
- Architectural Specifications: See [SL-07699](#)
- Installation Manual: See [DD2481645](#)
- Service Manual: See [DD2481648](#)

BB-2142

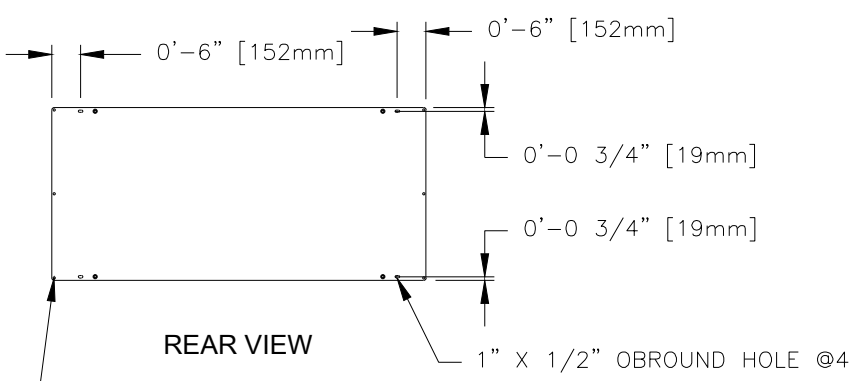


0'-1 3/8" [36mm]
INVERTED CHANNEL DEPTH

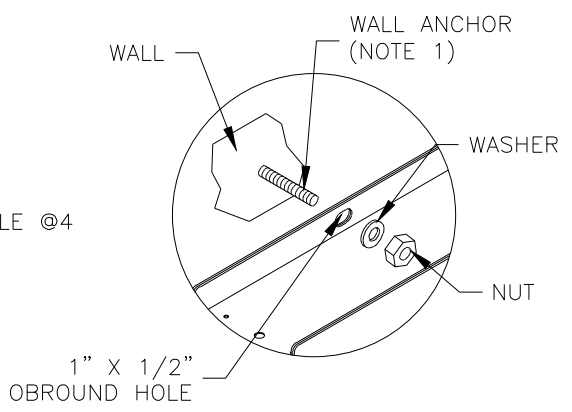
SIDE VIEW



WALL MOUNTING DETAIL



Ø 0.4375" HOLE @4 FOR
OPTIONAL CORNER MOUNTING
(REFER TO DWG-150831)



DETAIL: A
(SCALE 1=10)

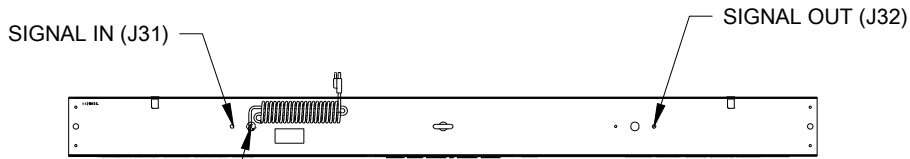
NOTES:

1. USE APPROPRIATE WALL ANCHORS FOR TYPE OF WALL. (NOT PROVIDED BY DAKTRONICS)
2. LIFT EYE IS FOR TEMPORARY USE WHILE LIFTING SCOREBOARD DURING INSTALLATION. DO NOT USE LIFT EYE FOR PERMANENT SUSPENSION. (REFER TO DWG-1130959)

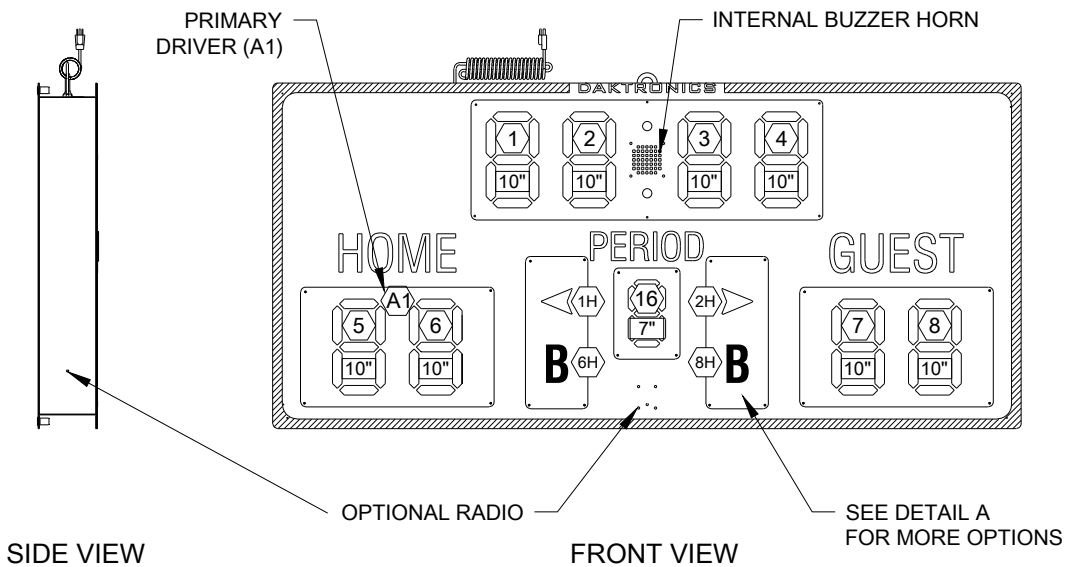
WEIGHTS	
SHIPPING WEIGHT	MOUNTING WEIGHT
120 LBS (55 KG)	80 LBS (36 KG)

	DAKTRONICS, INC. BROOKINGS, SD 57006		<small>THE CONCEPTS EXPRESSED AND DETAILS SHOWN ON THIS DRAWING ARE CONFIDENTIAL AND PROPRIETARY. DO NOT REPRODUCE BY ANY MEANS WITHOUT THE EXPRESSED WRITTEN CONSENT OF DAKTRONICS, INC. COPYRIGHT 2013 DAKTRONICS, INC.</small>	
	DO NOT SCALE DRAWING			
PROJ: INDOOR SCOREBOARDS				
TITLE: MECHANICAL SPEC, BB-2142/BB-3142				
DESIGN: KDRAGT		DRAWN: KDRAGT		DATE: 22 MAR 13
SCALE: 1=40				
SHEET	REV	JOB NO:	FUNC-TYPE-SIZE	1131080
	00	P1749	E-10-A	

BB-2142/3142

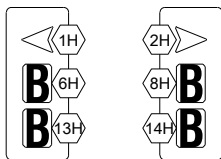


TOP VIEW



SIDE VIEW

FRONT VIEW



DETAIL: A
SCALE 1:1
OPTIONAL DOUBLE BONUS INDICATORS

- NOTES:
- ⑦ = DIGIT DESIGNATION IN RELATION TO DRIVER
 - 13" = DIGIT SIZE
 - ⑫H = SEGMENT DESIGNATION
 - Ⓐ1 = DRIVER NUMBER

	DAKTRONICS, INC. BROOKINGS, SD 57006	THE CONCEPTS EXPRESSED AND DETAILS SHOWN ON THIS DRAWING ARE CONFIDENTIAL AND PROPRIETARY. DO NOT REPRODUCE BY ANY MEANS WITHOUT THE EXPRESSED WRITTEN CONSENT OF DAKTRONICS, INC. COPYRIGHT 2013 DAKTRONICS, INC.
	DO NOT SCALE DRAWING	

PROJ: INDOOR SCOREBOARDS TITLE: COMPONENT LOCATION; BB-2142/BB-3142				
DESIGN: KDRAGT		DRAWN: KDRAGT		DATE: 22 MAR 13
SCALE: 1=20				
SHEET	REV	JOB NO:	FUNC -TYPE-SIZE	1131079
	03	P1749	E - 10 - A	

REV 03	DATE: 28 MAY 19	PER CN-80249: REPLACED LL-2525 LABELS WITH LL-4172151 LABELS.	BY: AGM
REV 02	DATE: 02 MAR 15	PER EC-17119, REMOVED DRIVER DETAILS, CHANGED MASTER TO PRIMARY	BY: KDB
REV 01	DATE: 17 MAY 13	PER EC-10508, CHANGING CLOCK DIGIT TO VINYL COLONS	BY: MBC