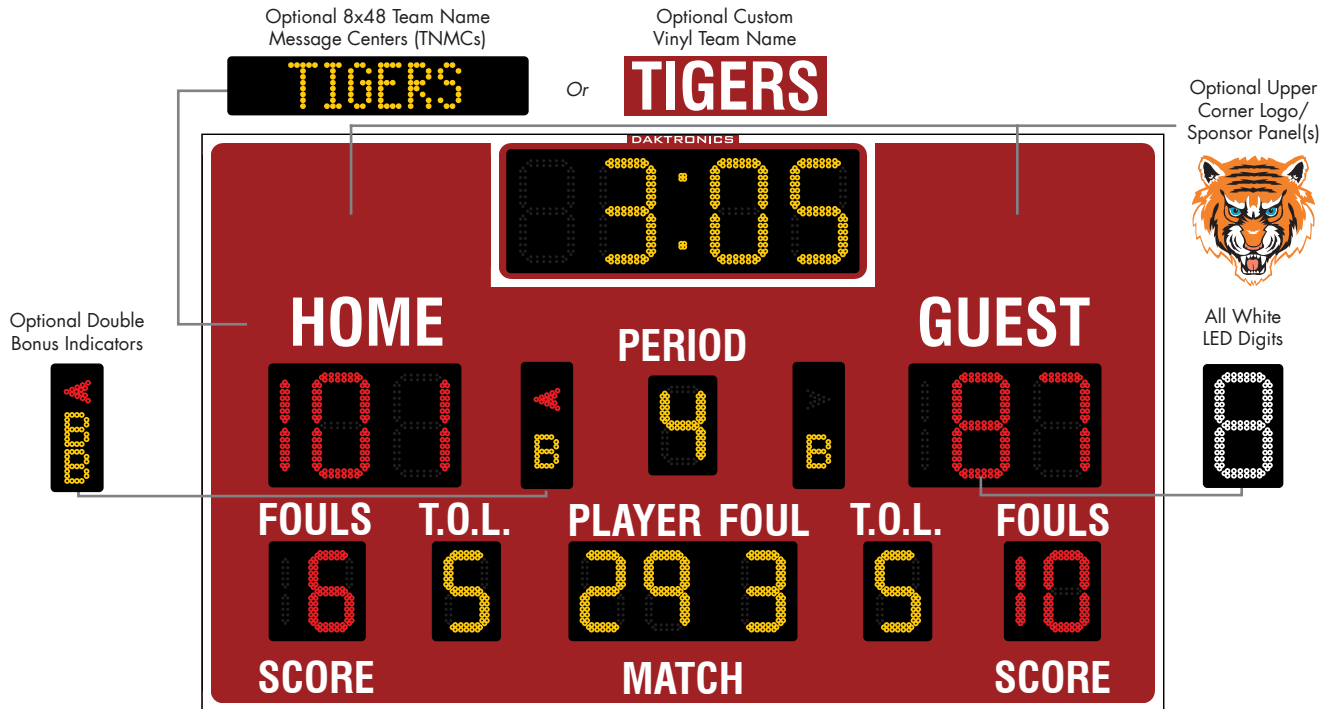


DAKTRONICS BB-2107 PRODUCT SPECIFICATIONS



This indoor single-sided LED basketball scoreboard displays period time to 99:59, HOME and GUEST scores to 199, PERIOD to nine, PLAYER number to 99, player FOUL to nine, team FOULS to 19, T.O.L. (time outs left) to nine and indicates possession and bonus. Scoreboard can also score volleyball and wrestling. When period time is less than one minute, the scoreboard displays time to 1/10 of a second.

CAPTION OPTIONS	POWER (120 VAC)*	UNCRATED WEIGHT	DIMENSIONS
VINYL ONLY (STANDARD)	220 Watts, 1.9 Amps	260 lb (118 kg)	6'-0" H x 10'-0" W x 6" D (1.83 m x 3.05 m x 152 mm)
VINYL & TNMCS	280 Watts, 2.4 Amps	275 lb (125 kg)	

*Models with 240 VAC power at half the indicated amperage are also offered (International Use Only).

DIGITS & INDICATORS

- Clock and score digits are 13" (330 mm) high. All other digits are 10" (254 mm) high. Bonus indicators are 4" (102 mm) high and possession arrows are 3" (76 mm) high.
- Scoreboard features PanaView® LED digit technology.
- Scoreboard comes with choice of LED colors:
 - > **Red/Amber LEDs:** clock, PERIOD, PLAYER/FOUL, T.O.L. digits, Bonus indicators and optional TNMCs are amber. Scores and FOULS digits and possession indicators are red.
 - > **White LEDs:** all digits, indicators and optional TNMCs are white.

CAPTIONS & STRIPING

- HOME and GUEST captions are 6" (152 mm) high. All other captions are 4" (102 mm) high. Optional TNMCs are 6" (152 mm) high.
- Standard captions and border striping are white vinyl. Choose another vinyl color at no additional cost (see [DD2101644](#)).

DISPLAY COLOR

Choose a color from the Daktronics standard paint book (see [SL-02730](#)).

CONSTRUCTION

Durable, lightweight aluminum Tuff Sport® cabinet withstands high-velocity impact from air-filled sports balls without the need for protective screens.

PRODUCT SAFETY APPROVAL

ETL-listed, tested to CSA standards, and CE-labeled **for indoor use only**

OPERATING TEMPERATURES

- Display: -22° to 122° Fahrenheit (-30° to 50° Celsius)
- Console: 32° to 130° Fahrenheit (0° to 54° Celsius)

WWW.DAKTRONICS.COM E-MAIL: SALES@DAKTRONICS.COM

201 Daktronics Drive, PO Box 5128, Brookings, SD 57006
Phone: 1-800-325-8766 or 605-692-0200 Fax: 605-697-4746
DD2481865 022322 Page 1 of 4



DAKTRONICS BB-2107 PRODUCT SPECIFICATIONS

CONTROL CONSOLE

All Sport® 5000
(see [SL-03991](#))

CONTROL OPTIONS

Wireless: 2.4 GHz spread spectrum radio features 64 non-interfering channels and 8 broadcast groups (see [SL-04370](#)). This is a popular upgrade.

Wired: One-pair shielded cable of 22 AWG minimum is required. A cover plate with mounted connector and standard 2" x 4" x 2" (51 mm x 102 mm x 51 mm) outlet box is provided. Connector mates with signal cable from control console.

HORN

A vibrating horn, mounted behind the scoreboard face, sounds automatically when period/timeout clock counts down to zero or manually as controlled by the operator.

SEGMENT TIMER MODE

The segment timer mode is ideal for keeping practices on schedule. The horn at the end of a segment allows coaches and athletes to focus on the practice and to listen for the horn when it is time to change drills (see [SL-04004](#)).

TIME OF DAY MODE

This scoreboard features a Time of Day (TOD) mode that allows it to act as a clock when the control console is unplugged or off. Refer to the scoreboard installation manual for instructions on how to enable the Time of Day mode.

GENERAL INFORMATION

Scoreboard provides scoring capabilities for two teams. 100% solid state electronics are housed in an all aluminum cabinet. Scoreboard arrives at the site fully assembled. Mounting hardware not included. Specifications and pricing are subject to change without notice.

FAN FAVORITE OPTIONS

These are the most commonly requested enhancements:

- Custom vinyl team name caption in place of HOME
or Two Digital Team Name Message Centers (TNMCs) in place of HOME and GUEST captions (see [SL-04342](#))
- 17" tall x 33" wide (432 mm x 838 mm) logo/sponsor panels in upper corners
- Double bonus indicators

OTHER ACCESSORIES & UPGRADES

The options below are available for additional customization:

- Volleyball and wrestling captions on changeable panels
- Advantage time option for wrestling mode – PLAYER and FOUL digits reversed (see [SL-03679](#))
- Different sounding 12 VDC horn in place of buzzer
- Protective screen (see [SL-02551](#))
- Suspension installation kit *or* corner mounting kit

COMPLETE YOUR SYSTEM

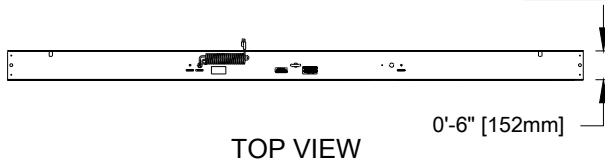
Contact Daktronics about adding any of this equipment to create a unique scoring and display system:

- Backlit advertising/ID panels (see [SL-03664](#))
- Non-backlit advertising/ID panels (see [SL-03917](#))
- Decorative accents
- Statistic displays, shot clocks, and light strips
- Sportsound® Indoor Audio
- Video displays
- Live web streaming of scores and stats

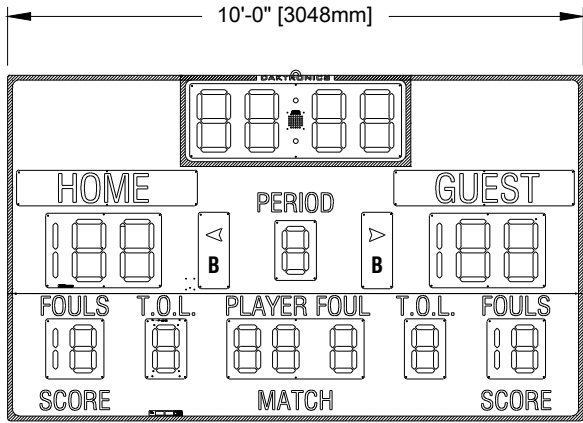
FOR ADDITIONAL INFORMATION

- Mechanical Specifications: DWG-1131234 (attached)
- Component Locations: DWG-1131235 (attached)
- Architectural Specifications: See [SL-04791](#)
- Installation Manual: See [DD2481645](#)
- Service Manual: See [DD2481648](#)

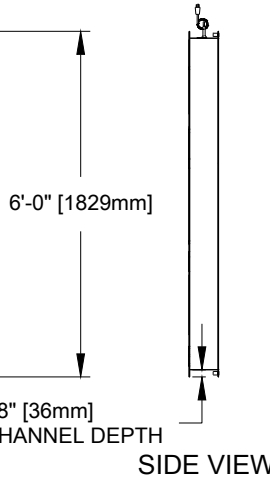
BB-2107/BB-3107



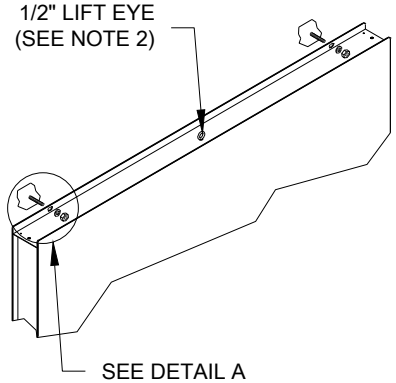
TOP VIEW



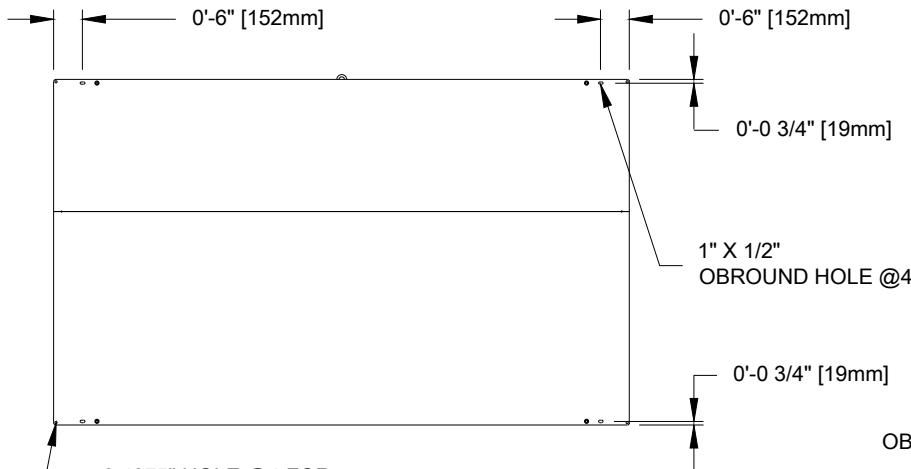
FRONT VIEW



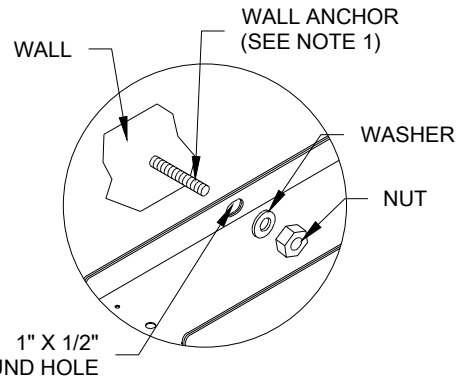
SIDE VIEW



WALL MOUNTING DETAIL



REAR VIEW



DETAIL: A
(SCALE 1=10)

Ø 0.4375" HOLE @4 FOR
OPTIONAL CORNER MOUNTING
(REFER TO DWG-150831)

NOTES:

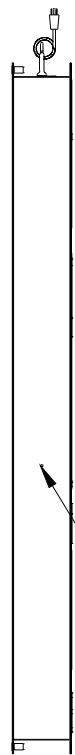
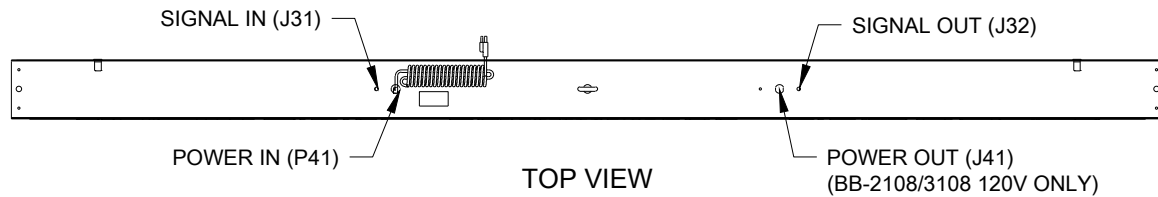
1. USE APPROPRIATE WALL ANCHORS FOR TYPE OF WALL. (NOT PROVIDED BY DAKTRONICS)
2. LIFT EYE IS FOR TEMPORARY USE WHILE LIFTING SCOREBOARD DURING INSTALLATION. DO NOT USE LIFT EYE FOR PERMANENT SUSPENSION. (REFER TO DWG-1130959)

WEIGHTS

SHIPPING WEIGHT	MOUNTING WEIGHT
395 LBS (179 KG)	260 LBS (118 KG)

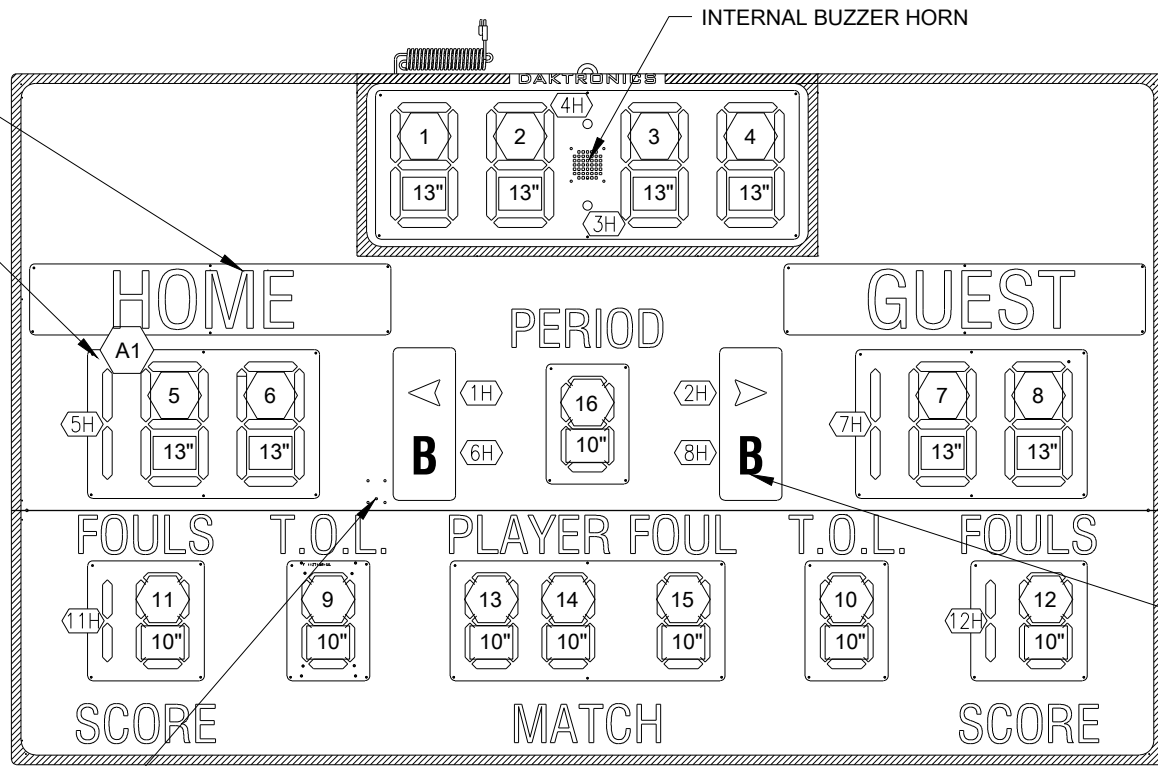
	DAKTRONICS, INC. BROOKINGS, SD 57006 DO NOT SCALE DRAWING		THE CONCEPTS EXPRESSED AND DETAILS SHOWN ON THIS DRAWING ARE CONFIDENTIAL AND PROPRIETARY. DO NOT REPRODUCE BY ANY MEANS WITHOUT THE EXPRESSED WRITTEN CONSENT OF DAKTRONICS, INC. COPYRIGHT 2013 DAKTRONICS, INC.	
	PROJ: INDOOR SCOREBOARDS TITLE: MECHANICAL SPEC; BB-2107/BB-3107			
DESIGN: KDRAGT		DRAWN: KDRAGT		DATE: 25 MAR 13
SCALE: 1=40				
SHEET	REV 00	JOB NO: P 1749	FUNC-TYPE-SIZE E - 10 - A	1131234

BB-2107/3107 & BB-2108/3108 FACE



OPTIONAL TNMC
8X48-6"

PRIMARY
DRIVER (A1)



SEE DETAIL A
FOR MORE OPTIONS

OPTIONAL RADIO

SIDE VIEW

FRONT VIEW

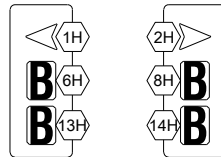
NOTES:

7 = DIGIT DESIGNATION
= IN RELATION TO DRIVER

24" = DIGIT SIZE

1H = SEGMENT DESIGNATION

A1 = DRIVER NUMBER



OPTIONAL DOUBLE
BONUS INDICATORS

DETAIL: A
SCALE 1:1

REV 02	DATE: 28 MAY 19	PER CN-80249: REPLACED LL-2525 LABELS WITH LL-4172151 LABELS.	BY: AGM
REV 01	DATE: 02 FEB 15	PER EC-17119, REMOVED DRIVER DETAILS, ADDED PRIMARY, 120V SPECIFICATIONS	BY: KDB
		THE CONCEPTS EXPRESSED AND DETAILS SHOWN ON THIS DRAWING ARE CONFIDENTIAL AND PROPRIETARY. DO NOT REPRODUCE BY ANY MEANS WITHOUT THE EXPRESS WRITTEN CONSENT OF DAKTRONICS, INC. OR ITS WHOLLY OWNED SUBSIDIARIES. COPYRIGHT 2017 DAKTRONICS, INC. (USA)	
PROJECT: INDOOR SCOREBOARDS			
TITLE: COMPONENT LOCATION; BB-2107/2108/3107/3108			
DATE: 25 MAR 13	DIM UNITS: INCHES [MILLIMETERS]	SHEET	REV 02
SCALE: 1=20		DO NOT SCALE DRAWING	
DESIGN: KDRAGT	JOB NO. P1749	FUNC - TYPE - SIZE E - 10 - A	1131235
DRAWN: KDRAGT			