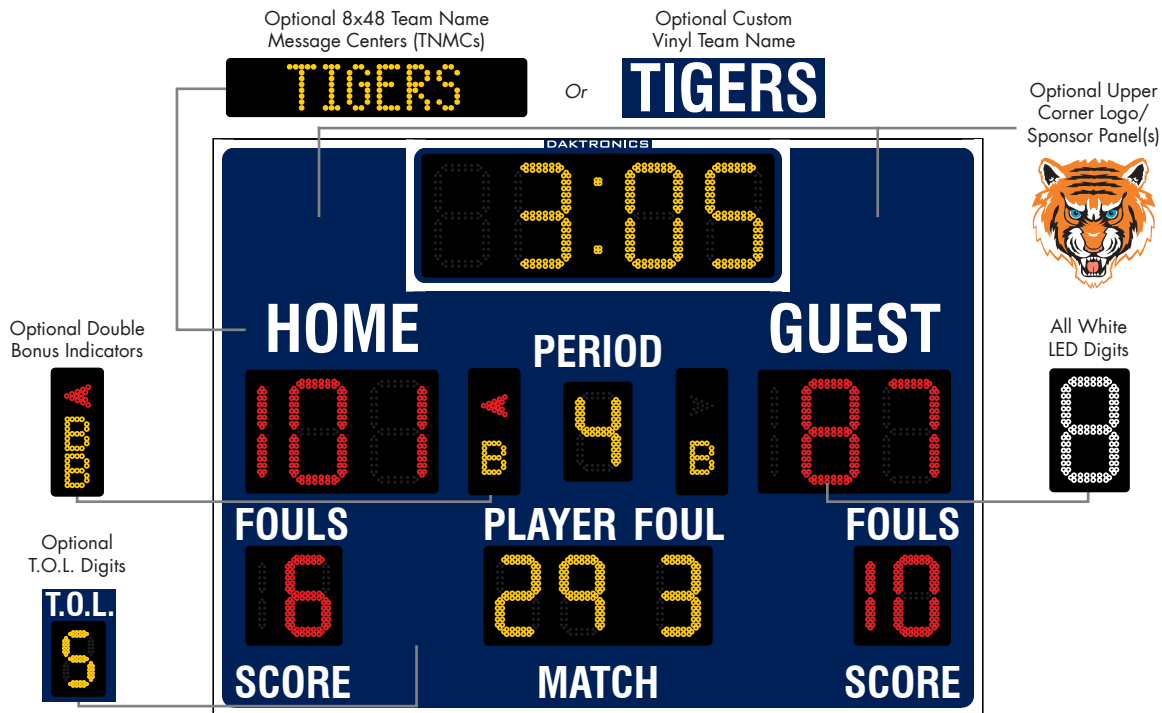


# DAKTRONICS BB-2103 PRODUCT SPECIFICATIONS



This indoor single-sided LED basketball scoreboard displays period time to 99:59, HOME and GUEST scores to 199, PERIOD to nine, PLAYER number to 99, player FOUL to nine, team FOULS to 19 and indicates possession and bonus. T.O.L. (time outs left) to nine are optional. Scoreboard can also score volleyball and wrestling. When period time is less than one minute, the scoreboard displays time to 1/10 of a second.

CAPTION OPTIONS	POWER (120 VAC)*	UNCRATED WEIGHT	DIMENSIONS
<b>VINYL ONLY (STANDARD)</b>	210 Watts, 1.8 Amps	180 lb (82 kg)	6'-0" H x 8'-0" W x 6" D (1.83 m x 2.44 m x 152 mm)
<b>VINYL &amp; TNMCS</b>	270 Watts, 2.3 Amps	195 lb (88 kg)	

\*Models with 240 VAC power at half the indicated amperage are also offered (International Use Only).

## DIGITS & INDICATORS

- Clock and score digits are 13" (330 mm) high. Optional T.O.L. digits are 7" (178 mm) high. All other digits are 10" (254 mm) high. Bonus indicators are 4" (102 mm) high and possession arrows are 3" (76 mm) high.
- Scoreboard features PanaView® LED digit technology.
- Scoreboard comes with choice of LED colors:
  - > **Red/Amber LEDs:** clock, PERIOD, PLAYER/FOUL, optional T.O.L. digits, Bonus indicators and optional TNMCS are amber. Scores and FOULS digits and possession indicators are red.
  - > **White LEDs:** all digits, indicators and optional TNMCS are white.

## DISPLAY COLOR

Choose a color from the Daktronics standard paint book (see [SL-02730](#)).

## CAPTIONS & STRIPING

- HOME and GUEST captions are 6" (152 mm) high. Optional T.O.L. captions are 3" (76 mm) high. All other captions are 4" (102 mm) high. Optional TNMCS are 6" (152 mm) high.
- Standard captions and border striping are white vinyl. Choose another vinyl color at no additional cost (see [DD2101644](#)).

## CONSTRUCTION

Durable, lightweight aluminum Tuff Sport® cabinet withstands high-velocity impact from air-filled sports balls without the need for protective screens.

## PRODUCT SAFETY APPROVAL

ETL-listed, tested to CSA standards, and CE-labeled **for indoor use only**

## OPERATING TEMPERATURES

- Display: -22° to 122° Fahrenheit (-30° to 50° Celsius)
- Console: 32° to 130° Fahrenheit (0° to 54° Celsius)

[WWW.DAKTRONICS.COM](http://WWW.DAKTRONICS.COM) E-MAIL: [SALES@DAKTRONICS.COM](mailto:SALES@DAKTRONICS.COM)

201 Daktronics Drive, PO Box 5128, Brookings, SD 57006  
 Phone: 1-800-325-8766 or 605-692-0200 Fax: 605-697-4746  
 DD2481852 022522 Page 1 of 4



# DAKTRONICS BB-2103 PRODUCT SPECIFICATIONS

## CONTROL CONSOLE

**All Sport® 5000**  
(see [SL-03991](#))

## CONTROL OPTIONS

**Wireless:** 2.4 GHz spread spectrum radio features 64 non-interfering channels and 8 broadcast groups (see [SL-04370](#)). This is a popular upgrade.

**Wired:** One-pair shielded cable of 22 AWG minimum is required. A cover plate with mounted connector and standard 2" x 4" x 2" (51 mm x 102 mm x 51 mm) outlet box is provided. Connector mates with signal cable from control console.

## HORN

A vibrating horn, mounted behind the scoreboard face, sounds automatically when period/timeout clock counts down to zero or manually as controlled by the operator.

## SEGMENT TIMER MODE

The segment timer mode is ideal for keeping practices on schedule. The horn at the end of a segment allows coaches and athletes to focus on the practice and to listen for the horn when it is time to change drills (see [SL-04004](#)).

## TIME OF DAY MODE

This scoreboard features a Time of Day (TOD) mode that allows it to act as a clock when the control console is unplugged or off. Refer to the scoreboard installation manual for instructions on how to enable the Time of Day mode.

## GENERAL INFORMATION

Scoreboard provides scoring capabilities for two teams. 100% solid state electronics are housed in an all aluminum cabinet. Scoreboard arrives at the site fully assembled. Mounting hardware not included. Specifications and pricing are subject to change without notice.

## FAN FAVORITE OPTIONS

These are the most commonly requested enhancements:

- Custom vinyl team name caption in place of HOME  
\*or\* Two Digital Team Name Message Centers (TNMCs) in place of HOME and GUEST captions (see [SL-04342](#))
- 17" tall x 21" wide (432 mm x 533 mm) logo/sponsor panels in upper corners
- Double bonus indicators

## OTHER ACCESSORIES & UPGRADES

The options below are available for additional customization:

- T.O.L. digits with captions
- Volleyball and wrestling captions on changeable panels
- Advantage time option for wrestling mode – PLAYER and FOUL digits reversed (see [SL-03679](#))
- Different sounding 12 VDC horn in place of buzzer
- Protective screen (see [SL-02551](#))
- Suspension installation kit \*or\* corner mounting kit

## COMPLETE YOUR SYSTEM

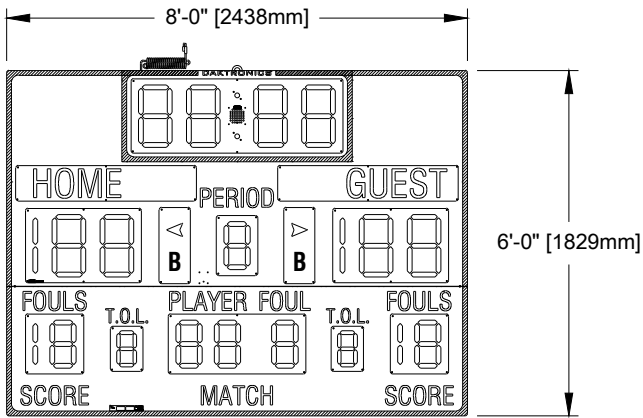
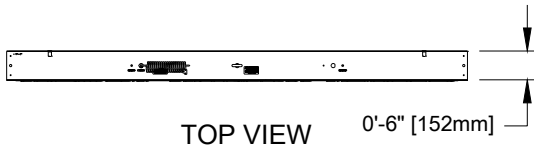
Contact Daktronics about adding any of this equipment to create a unique scoring and display system:

- Backlit advertising/ID panels (see [SL-03664](#))
- Non-backlit advertising/ID panels (see [SL-03917](#))
- Decorative accents
- Statistic displays, shot clocks, and light strips
- Sportsound® Indoor Audio
- Video displays
- Live web streaming of scores and stats

## FOR ADDITIONAL INFORMATION

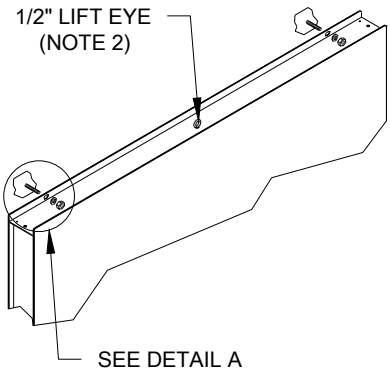
- Mechanical Specifications: DWG-1130405 (attached)
- Component Locations: DWG-1130164 (attached)
- Architectural Specifications: See [SL-04787](#)
- Installation Manual: See [DD2481645](#)
- Service Manual: See [DD2481648](#)

BB-2103 / 3103

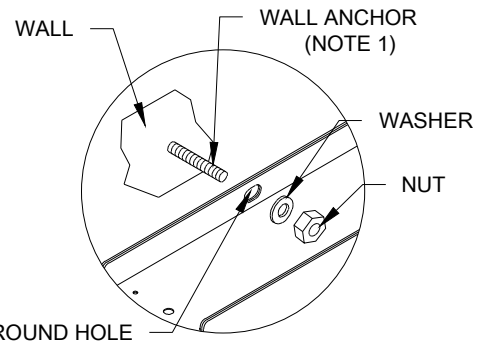
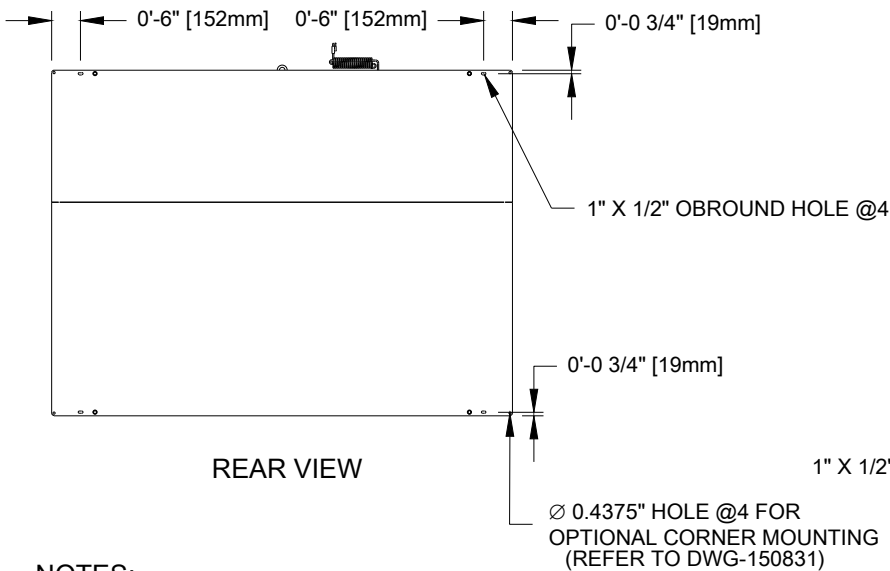


0'-1 3/8" [36mm]  
INVERTED CHANNEL DEPTH

SIDE VIEW



WALL MOUNTING DETAIL



DETAIL: A  
(SCALE 1=10)

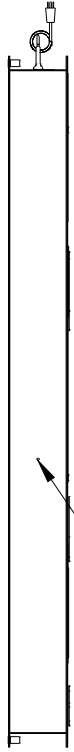
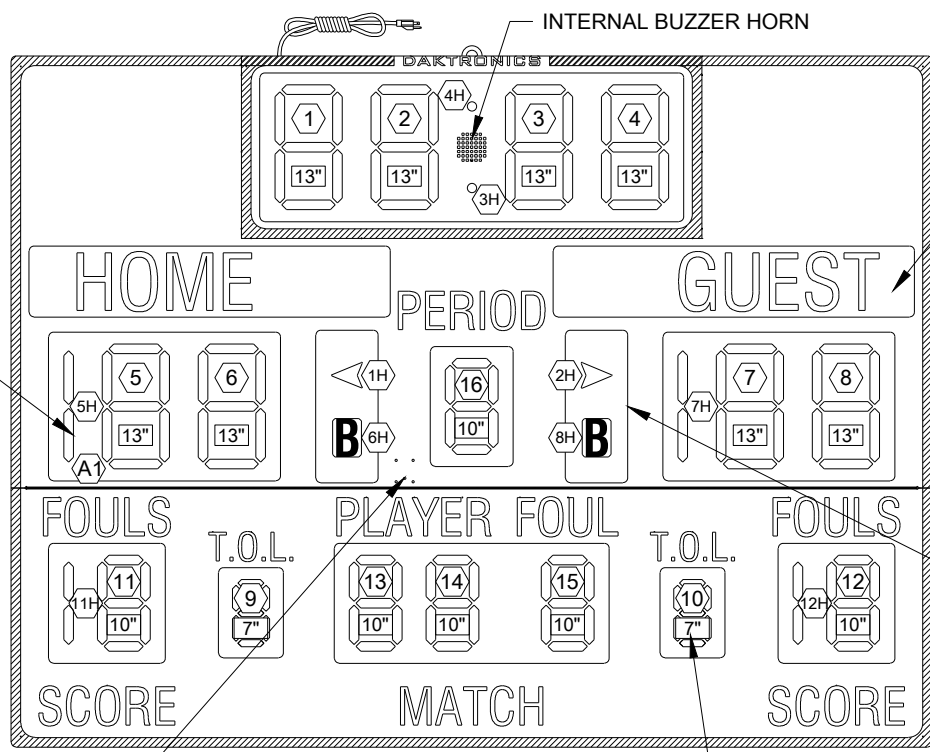
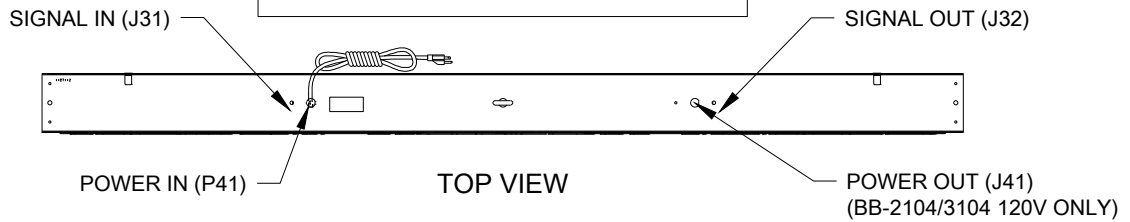
**NOTES:**

1. USE APPROPRIATE WALL ANCHORS FOR TYPE OF WALL. (NOT PROVIDED BY DAKTRONICS)
2. LIFT EYE IS FOR TEMPORARY USE WHILE LIFTING SCOREBOARD DURING INSTALLATION. DO NOT USE LIFT EYE FOR PERMANENT SUSPENSION. REFER TO DWG-1130959.

WEIGHTS	
SHIPPING WEIGHT	MOUNTING WEIGHT
290 LBS (132 KG)	180 LBS (82 KG)

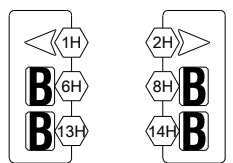
<p><b>DAKTRONICS, INC.</b> BROOKINGS, SD 57006</p>	<p>THE CONCEPTS EXPRESSED AND DETAILS SHOWN ON THIS DRAWING ARE CONFIDENTIAL AND PROPRIETARY. DO NOT REPRODUCE BY ANY MEANS WITHOUT THE EXPRESSED WRITTEN CONSENT OF DAKTRONICS, INC. COPYRIGHT 2013 DAKTRONICS, INC.</p>		
	<p>DO NOT SCALE DRAWING</p>		
<p>PROJ: INDOOR SCOREBOARDS</p>			
<p>TITLE: MECHANICAL SPEC, BB-2103 / 3103</p>			
<p>DESIGN: KDRAGT</p>		<p>DRAWN: AHOLTZ</p>	<p>DATE: 15 MAR 13</p>
<p>SCALE: 1=40</p>			
<p>SHEET</p>	<p>REV</p>	<p>JOB NO:</p>	<p>FUNC -TYPE-SIZE</p>
	<p>00</p>	<p>P 1749</p>	<p>E - 10 - A</p>
			<p><b>1130405</b></p>

BB-2103/3103 & BB-2104/3104 FACE



PRIMARY DRIVER (A1)

SEE DETAIL A FOR MORE OPTIONS



DETAIL: A  
SCALE 1:1  
OPTIONAL DOUBLE BONUS INDICATORS

- NOTES:
- ⑦ = DIGIT DESIGNATION IN RELATION TO DRIVER
  - 13" = DIGIT SIZE
  - 12H = SEGMENT DESIGNATION
  - A1 = DRIVER NUMBER

REV 03	DATE: 28 MAY 19	PER CN-80249; REPLACED LL-2525 LABELS WITH LL-4172151 LABELS.	BY: AGM
REV 02	DATE: 21 DEC 17	PER CN-47546, UPDATED LOCATIONS HOME/GUEST CAPTIONS	BY: KDD
REV 01	DATE: 02 MAR 15	PER EC-17119, REMOVED DRIVER DETAILS CHANGED MASTER TO PRIMARY	BY: KDB

**DAKTRONICS**

THE CONCEPTS EXPRESSED AND DETAILS SHOWN ON THIS DRAWING ARE CONFIDENTIAL AND PROPRIETARY. DO NOT REPRODUCE BY ANY MEANS WITHOUT THE EXPRESS WRITTEN CONSENT OF DAKTRONICS, INC. OR ITS WHOLLY OWNED SUBSIDIARIES. COPYRIGHT 2017 DAKTRONICS, INC. (USA)

THIRD ANGLE PROJECTION

PROJECT: INDOOR SCOREBOARDS			
TITLE: COMPONENT LOCATION; BB-2103/2104/3103/3104			
DATE: 13 MAR 13	DIM UNITS: INCHES [MILLIMETERS]	SHEET	REV
SCALE: 1=20	DO NOT SCALE DRAWING		03
DESIGN: KDRAGT	JOB NO. P1749	FUNC - TYPE - SIZE E - 10 - A	1130164
DRAWN: KDRAGT			