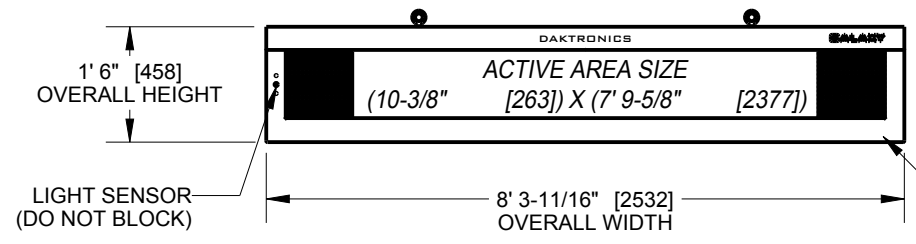
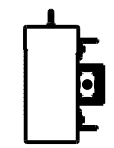


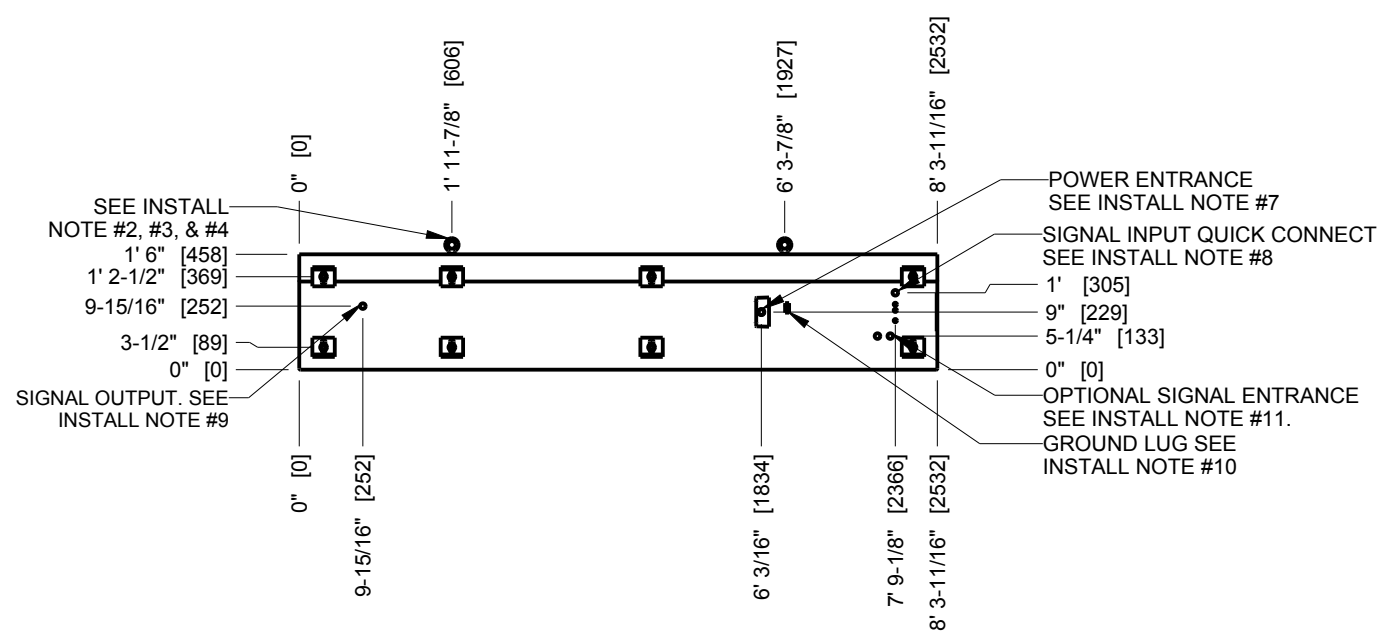
TOP VIEW



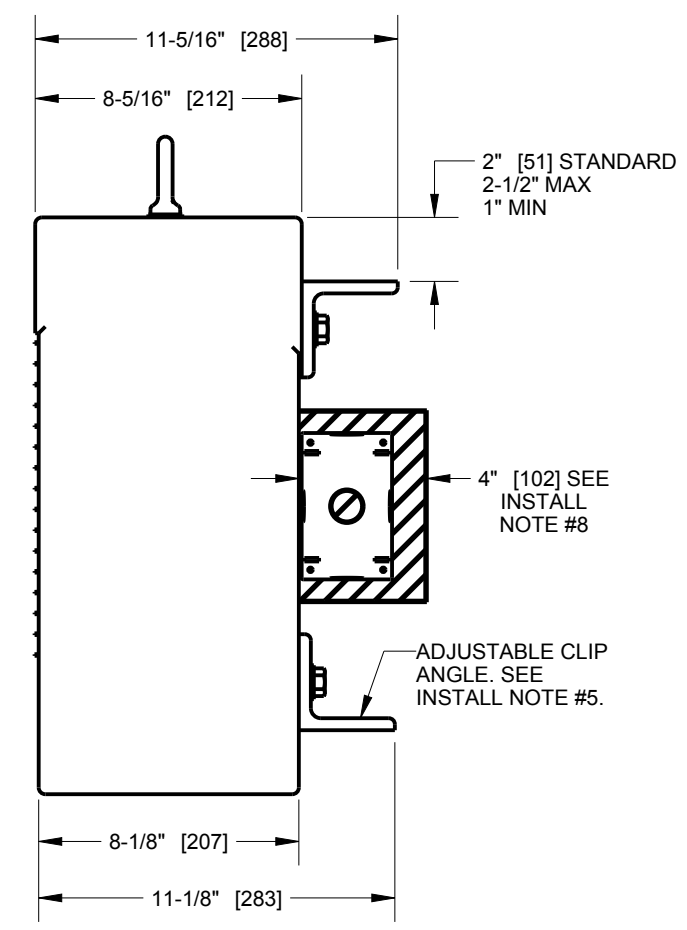
FRONT VIEW



RIGHT VIEW



REAR VIEW



DETAILED RIGHT VIEW
SCALE 1/6

#	DETAIL	DESCRIPTION
1	DISPLAY	AF-3550-16 X 144-16MM
2	LED COLOR	RGB
3	ACTIVE AREA	10-3/8" [263] X 7' 9-5/8" [2377]
4	OVERALL SIZE	1' 6" [458] X 8' 3-11/16" [2532]
5	CABINET	ALUMINUM, PAINTED SEMI-GLOSS BLACK
6	VENTILATION	INTAKE & EXHAUST AT BOTTOM-FRONT
7	ACCESS	SERVICE FROM FRONT ONLY
8	WEIGHT	110 LBS [50 KG] (APPROX)
9	SHIPPING	SHIPPED & INSTALLED AS SINGLE UNIT
10	DIMENSIONS	FEET AND INCHES [MILLIMETERS]

STRUCTURAL RATING

1	DESIGN WIND PRESSURE "P"	P<=110 PSF
2	STANDARD/CODE	IBC 2006

POWER RATINGS PER SINGLE FACE

#	COLOR	EFFECTIVE DATE	WATTS	DOMESTIC		INTERNATIONAL
				120VAC, 60Hz 2 WIRE + GND	120/240VAC, 60Hz, 3WIRE + GND	240VAC, 1PH 50Hz 2WIRE + GND
				LINE 1 (AMPS)	LINE 2 (AMPS)	LINE 1 (AMPS)
1	RGB	AFTER 4/26/12	406	3.38	N/A	1.69
2	RGB	PRIOR TO 4/25/12	557	4.64	N/A	2.32

- INSTALL NOTES
- DISPLAY IS FRONT VENTILATED SO NO PORTION OF THE FRONT FACE CAN BE COVERED. AIR INTAKES ARE FILTERED. FILTERS ARE LOCATED IN DRAWERS ON FACE AND WILL NEED TO BE PERIODICALLY CLEANED TO ENSURE PROPER VENTILATION. REFER TO MAINTENANCE DOCUMENT (DD-1564079) FOR FILTER MAINTENANCE INSTRUCTIONS.
 - IN ORDER TO MAINTAIN THE STRUCTURAL INTEGRITY OF THE DISPLAY CABINET, USE SPREADER BEAM AND MAINTAIN A 90° ANGLE BETWEEN THE CABINET AND THE LIFTING METHOD. ALL EYEBOLTS MUST BE USED FOR LIFTING THE CABINET.
 - 1/2" EYEBOLTS TO ASSIST WITH DISPLAY INSTALLATION. EYEBOLTS MAY BE REMOVED AFTER INSTALLATION.
 - EYEBOLTS MAY NOT BE USED FOR PERMANENT INSTALLATION.
 - L3X3X3/8" X3 WIDE" ASTM A36 STEEL ANGLE FOR MOUNTING ATTACHED TO THE DISPLAY WITH 1/2" BOLT AND NUT INSERT. CLIP ANGLE CAN BE ADJUSTED VERTICALLY AS NEEDED DURING INSTALLATION.
 - DAKTRONICS IS NOT RESPONSIBLE FOR THE MOUNTING HARDWARE OR THE INTEGRITY OF THE STRUCTURE TO WHICH THE DISPLAY IS MOUNTED TO.
 - EXTERNAL JUNCTION BOX IS PROVIDED FOR POWER TERMINATION. SEE POWER RATINGS ABOVE.
 - SIGNAL INPUT AT QUICK CONNECT. PRIMARY/SINGLE FACE DISPLAY SHOWN. SEE CLEARANCE DIMENSION ON DETAIL VIEW B.
 - SIGNAL OUTPUT QUICK CONNECT FOR MIRROR FACE.
 - GROUND LUG FOR GROUND LUG CONNECTION. DISPLAY NEEDS TO BE GROUNDED.
 - TWO 1/2" CONDUIT KNOCKOUT LOCATIONS FOR OPTIONAL SIGNAL ENTRANCE
 - DAKTRONICS IS NOT RESPONSIBLE FOR THE MAIN ELECTRICAL DISCONNECT.

SUBMITTAL APPROVAL

APPROVED
 APPROVED AS NOTED
 APPROVED AS NOTED & RESUBMIT

COMPANY: _____
 SIGNED: _____
 TITLE: _____ DATE: _____

DAKTRONICS, INC.
BROOKINGS, SD 57006
DO NOT SCALE DRAWING

THE CONCEPTS EXPRESSED AND DETAILS SHOWN ON THIS DRAWING ARE CONFIDENTIAL AND PROPRIETARY. DO NOT REPRODUCE BY ANY MEANS WITHOUT THE EXPRESSED WRITTEN CONSENT OF DAKTRONICS, INC. COPYRIGHT 2013 DAKTRONICS, INC.

PROJ: GALAXY AF-3550 16MM DISPLAYS
 TITLE: SHOP DWG, AF-3550-16X144-16-RGB
 DESIGN: TWHITEH DRAWN: RBJERKE DATE: 28-MAY-13
 SCALE: 1=30
 SHEET: 1 OF 1 REV: 01 JOB NO: P 1569 FUNC-TYPE-SIZE: E - 07 - B **1056331**

01	28 MAY 13	UPDATED POWER REQUIREMENTS	KMA
REV	DATE:		BY: