

APPLICABLE DESIGN CODE: IBC 2006/2009

DESIGN WIND PRESSURE "P"

P <= 110 psf

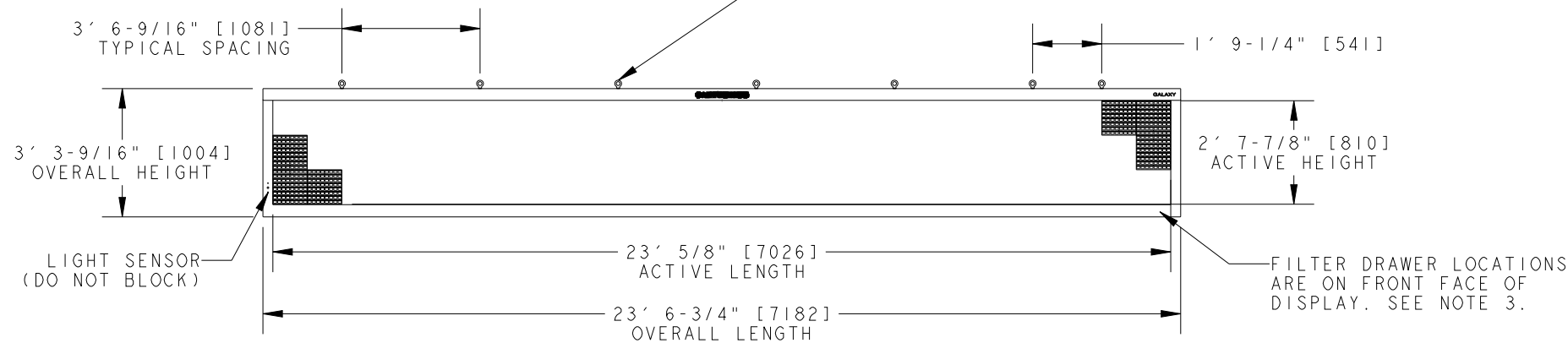
CHART 1

POWER REQUIREMENTS PER SINGLE FACE

COLOR	WATTS	120 VAC, 60 Hz	120/240VAC, 60 Hz	240VAC, 1PH, 50 Hz
		(2 WIRE + GND)	(3 WIRE + GND)	(2 WIRE + GND)
		AMPS	AMPS*	AMPS
RED	295.000	N/A	5.47	5.40
AMBER	575.000	N/A	7.08	6.56
RGB	693.000	N/A	11.71	11.22

*AMPS LISTED ARE HIGHEST LEG OF CIRCUIT.

IN ORDER TO MAINTAIN THE STRUCTURAL INTEGRITY OF THE DISPLAY CABINET, THE 90° ANGLE BETWEEN THE CABINET AND THE LIFTING METHOD MUST BE MAINTAINED. ALL EYEBOLTS MUST BE USED WHEN LIFTING.



FRONT VIEW

NOTES:

1. EYEBOLTS MAY NOT BE USED FOR PERMANENT INSTALLATION.
2. ALL CLIP ANGLES (OR THEIR LOCATIONS) MUST BE USED FOR DISPLAY INSTALLATION.
3. DISPLAY IS FRONT VENTILATED SO NO PORTION OF THE FRONT FACE CAN BE COVERED. AIR INTAKES ARE FILTERED. FILTERS ARE LOCATED IN DRAWERS ON FACE AND WILL NEED TO BE PERIODICALLY CLEANED IN ORDER TO PROVIDE THE PROPER DISPLAY VENTILATION. REFER TO THE MAINTENANCE DOCUMENT (DD-1564079) FOR FILTER MAINTENANCE INSTRUCTIONS.
4. ALL DIMENSIONS ARE IN FEET AND INCHES [MILLIMETERS].
5. DISPLAY IS ALL ALUMINUM CONSTRUCTION.
6. THIS DISPLAY IS SHIPPED AND INSTALLED AS A SINGLE UNIT.
7. DISPLAY CABINET COLOR IS SEMI-GLOSS BLACK.
8. FRONT ACCESS FOR SERVICE.
9. ESTIMATED WEIGHT IS: 640 LBS [290 KG].
10. DISPLAY L.E.D. COLOR IS RED, AMBER, OR RGB.
11. POWER REQUIREMENTS ARE LISTED IN CHART 1 OF THIS DRAWING.
12. DAKTRONICS IS NOT RESPONSIBLE FOR THE MAIN ELECTRICAL DISCONNECT.
13. DAKTRONICS IS NOT RESPONSIBLE FOR THE MOUNTING HARDWARE OR THE INTEGRITY OF THE STRUCTURE THE DISPLAY IS MOUNTED TO.

QUICK CONNECT SIGNAL OUT. PRIMARY DISPLAY SHOWN. NOT ON MIRROR DISPLAY.

3' 3-9/16" [1004]
3' 1/16" [916]

10-1/2" [267]
3-1/2" [89]
0" [0]

0" [0]
3-13/16" [97]
8-3/8" [213]

2' 5/16" [618]

5' 6-7/8" [1699]

9' 1-7/16" [2780]

12' 8" [3861]

16' 2-9/16" [4942]

19' 9-1/8" [6023]

20' 9-3/4" [6343]

22' 1-1/4" [6991]

23' 2-15/16" [7085]

23' 6-3/4" [7182]

1/2" EYEBOLTS TO ASSIST WITH DISPLAY INSTALLATION. EYEBOLT MAY BE REMOVED.

SEE DETAIL A

OPTIONAL SIGNAL ENTRANCE @2 ETCHED FOR 1/2" CONDUIT (DRILL OUT).

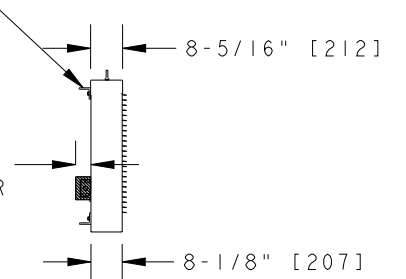
9-13/16" [249] QUICK CONNECT SIGNAL INPUT. PRIMARY/SINGLE FACE DISPLAY SHOWN. SEE CLEARANCE DIMENSION ON END VIEW.

GROUND LUG FOR GROUND ROD CONNECTION.

EXTERNAL JUNCTION BOX FOR POWER TERMINATION (SEE CHART 1 FOR POWER CALCULATIONS)

L3X3X3/8" X3" WIDE ASTM A36 STEEL CLIP ANGLE FOR MOUNTING. ATTACHED TO DISPLAY WITH 1/2" BOLT AND NUT INSERT. SEE NOTE 2.

4" [102] CLEARANCE NEEDED FOR QUICK CONNECTS.



LEFT SIDE



DETAIL A SCALE 1/10

REAR VIEW

REV	DATE:	BY:
02	02 AUG 11	AJR
01	17 NOV 10	JDG

UPDATED DESIGN CODE TO INCLUDE IBC 2009 ALONG WITH IBC 2006

UPDATED "SIGNAL IN" AND "SIGNAL OUT" QUICK CONNECT LOCATIONS.

DAKTRONICS, INC.		THE CONCEPTS EXPRESSED AND DETAILS SHOWN ON THIS DRAWING ARE CONFIDENTIAL AND PROPRIETARY. DO NOT REPRODUCE BY ANY MEANS WITHOUT THE EXPRESSED WRITTEN CONSENT OF DAKTRONICS, INC. COPYRIGHT 2011 DAKTRONICS, INC.	
BROOKINGS, SD 57006		DO NOT SCALE DRAWING	
PROJ: GALAXY AF-3500 34MM DISPLAYS			
TITLE: SHOP DWG, AF-3500-24X208-34			
DESIGN: TWHITEH	DRAWN: RBJERKE	DATE: 02-AUG-11	
SCALE: 1=50			
SHEET: 1 OF 1	REV: 02	JOB NO: P 1472	FUNC-TYPE-SIZE: E-10-B
1005531			