

APPLICABLE DESIGN CODE: IBC 2006/2009

DESIGN WIND PRESSURE "P"

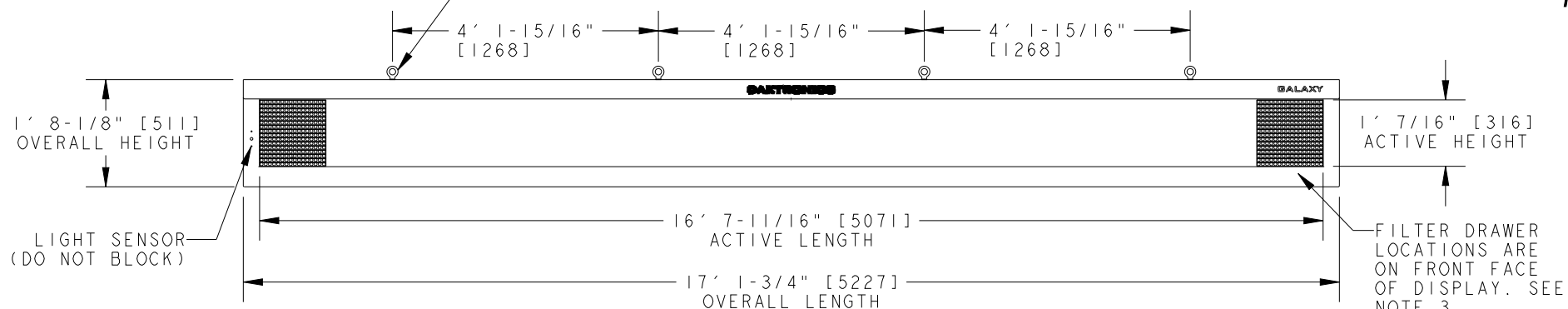
P < 110 psf

CHART 1

COLOR	WATTS	POWER REQUIREMENTS PER SINGLE FACE		
		120 VAC, 60 Hz (2 WIRE + GND)	120/240VAC, 60 Hz (3 WIRE + GND)	240VAC, 1PH, 50 Hz (2 WIRE + GND)
		AMPS	AMPS*	AMPS
RED	403	3.36	N/A	1.68
AMBER	466	3.88	N/A	1.94
RGB	921	7.67	N/A	3.84

*AMPS LISTED ARE HIGHEST LEG OF CIRCUIT.

IN ORDER TO MAINTAIN THE STRUCTURAL INTEGRITY OF THE DISPLAY CABINET, THE 90° ANGLE BETWEEN THE CABINET AND THE LIFTING METHOD MUST BE MAINTAINED. ALL EYEBOLTS MUST BE USED WHEN LIFTING.



FRONT VIEW

NOTES:

1. EYEBOLTS MAY NOT BE USED FOR PERMANENT INSTALLATION.
2. ALL CLIP ANGLES (OR THEIR LOCATIONS) MUST BE USED FOR DISPLAY INSTALLATION.
3. DISPLAY IS FRONT VENTILATED SO NO PORTION OF THE FRONT FACE CAN BE COVERED. AIR INTAKES ARE FILTERED. FILTERS ARE LOCATED IN DRAWERS ON FACE AND WILL NEED TO BE PERIODICALLY CLEANED IN ORDER TO PROVIDE THE PROPER DISPLAY VENTILATION. REFER TO THE MAINTENANCE DOCUMENT (DD-1564079) FOR FILTER MAINTENANCE INSTRUCTIONS.
4. ALL DIMENSIONS ARE IN FEET AND INCHES [MILLIMETERS].
5. DISPLAY IS ALL ALUMINUM CONSTRUCTION.
6. THIS DISPLAY IS SHIPPED AND INSTALLED AS A SINGLE UNIT.
7. DISPLAY CABINET COLOR IS SEMI-GLOSS BLACK.
8. FRONT ACCESS FOR SERVICE.
9. ESTIMATED WEIGHT IS: 240 LBS [109 KGS].
10. DISPLAY L.E.D. COLOR IS RED, AMBER, OR RGB.
11. POWER REQUIREMENTS ARE LISTED IN CHART 1 OF THIS DRAWING.
12. DAKTRONICS IS NOT RESPONSIBLE FOR THE MAIN ELECTRICAL DISCONNECT.
13. DAKTRONICS IS NOT RESPONSIBLE FOR THE MOUNTING HARDWARE OR THE INTEGRITY OF THE STRUCTURE THE DISPLAY IS MOUNTED TO.

L3X3X3/8" X3" WIDE ASTM A36 STEEL CLIP ANGLE FOR MOUNTING. ATTACHED TO DISPLAY WITH 1/2" BOLT AND NUT INSERT. SEE NOTE 2.

QUICK CONNECT SIGNAL OUT. PRIMARY DISPLAY SHOWN. NOT ON MIRROR DISPLAY.

- 1' 8-1/8" [511]
- 1' 4-5/8" [422]
- 9-3/4" [248]
- 3-1/2" [89]
- 0" [0]

- 0" [0]
- 3-13/16" [97]
- 10-1/2" [267]

4' 5" [1345]

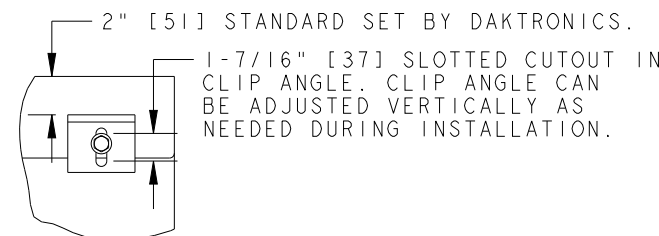
8' 6-7/8" [2613]

12' 8-13/16" [3881]

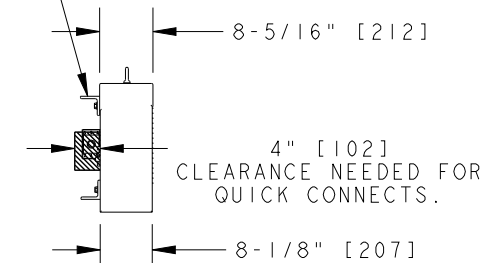
13' 9-5/16" [4198]

- 16' 7" [5055]
- 16' 10" [5130]
- 17' 1-3/4" [5227]

- 1/2" EYEBOLTS TO ASSIST WITH DISPLAY INSTALLATION EYEBOLT MAY BE REMOVED.
- OPTIONAL SIGNAL ENTRANCE @2 ETCHED FOR 1/2" CONDUIT (DRILL OUT).
- SEE DETAIL A
- 11-13/16" [300]
- 10-5/8" [270]
- QUICK CONNECT SIGNAL INPUT. PRIMARY/SINGLE FACE DISPLAY SHOWN. SEE CLEARANCE DIMENSION ON END VIEW.
- GROUND LUG FOR GROUND ROD CONNECTION.
- EXTERNAL JUNCTION BOX FOR POWER TERMINATION (SEE CHART 1 FOR POWER CALCULATIONS)



DETAIL A SCALE 1/10



LEFT SIDE

REAR VIEW

REV.	DATE	DESCRIPTION	BY	APPR.
03	21 JUL 11	UPDATED DESIGN CODE TO INCLUDE IBC 2009 ALONG WITH IBC 2006	AJR	
02	21 MAR 11	UPDATED POWER REQUIREMENT CHART	RLB	
01	02 DEC 09	UPDATED VENTILATION REQUIREMENTS	RLB	

DAKTRONICS, INC. BROOKINGS, SD 57006		THE CONCEPTS EXPRESSED AND DETAILS SHOWN ON THIS DRAWING ARE CONFIDENTIAL AND PROPRIETARY. DO NOT REPRODUCE BY ANY MEANS WITHOUT THE EXPRESSED WRITTEN CONSENT OF DAKTRONICS, INC. COPYRIGHT 2011 DAKTRONICS, INC.	
DO NOT SCALE DRAWING			
PROJ: GALAXY AF-3500 20MM DISPLAYS			
TITLE: SHOP DWG, AF-3500-16X256-20			
DESIGN: TWHITEH	DRAWN: RBJERKE	DATE: 21-JUL-11	
SCALE: 1=30			
SHEET: 1 OF 1	REV: 03	JOB NO: P 1473	FUNC-TYPE-SIZE: E-10-B
806289			