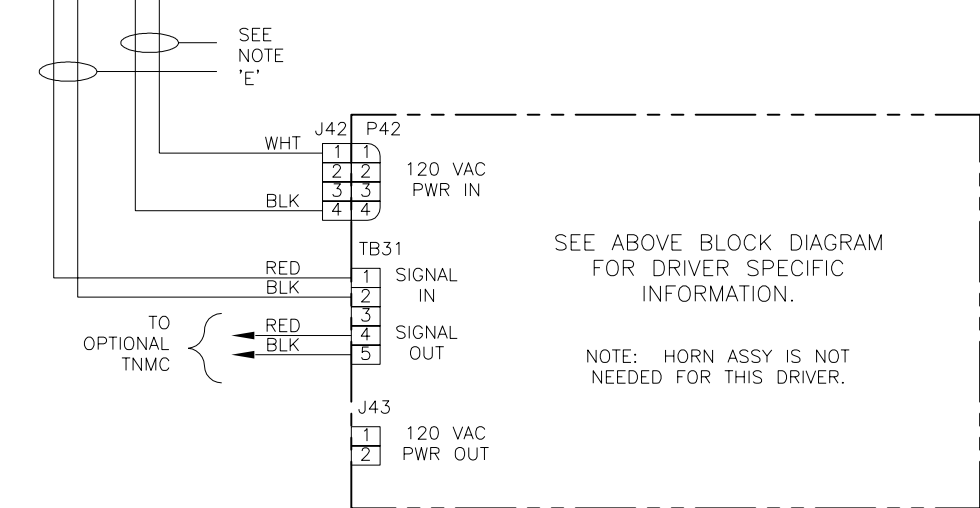
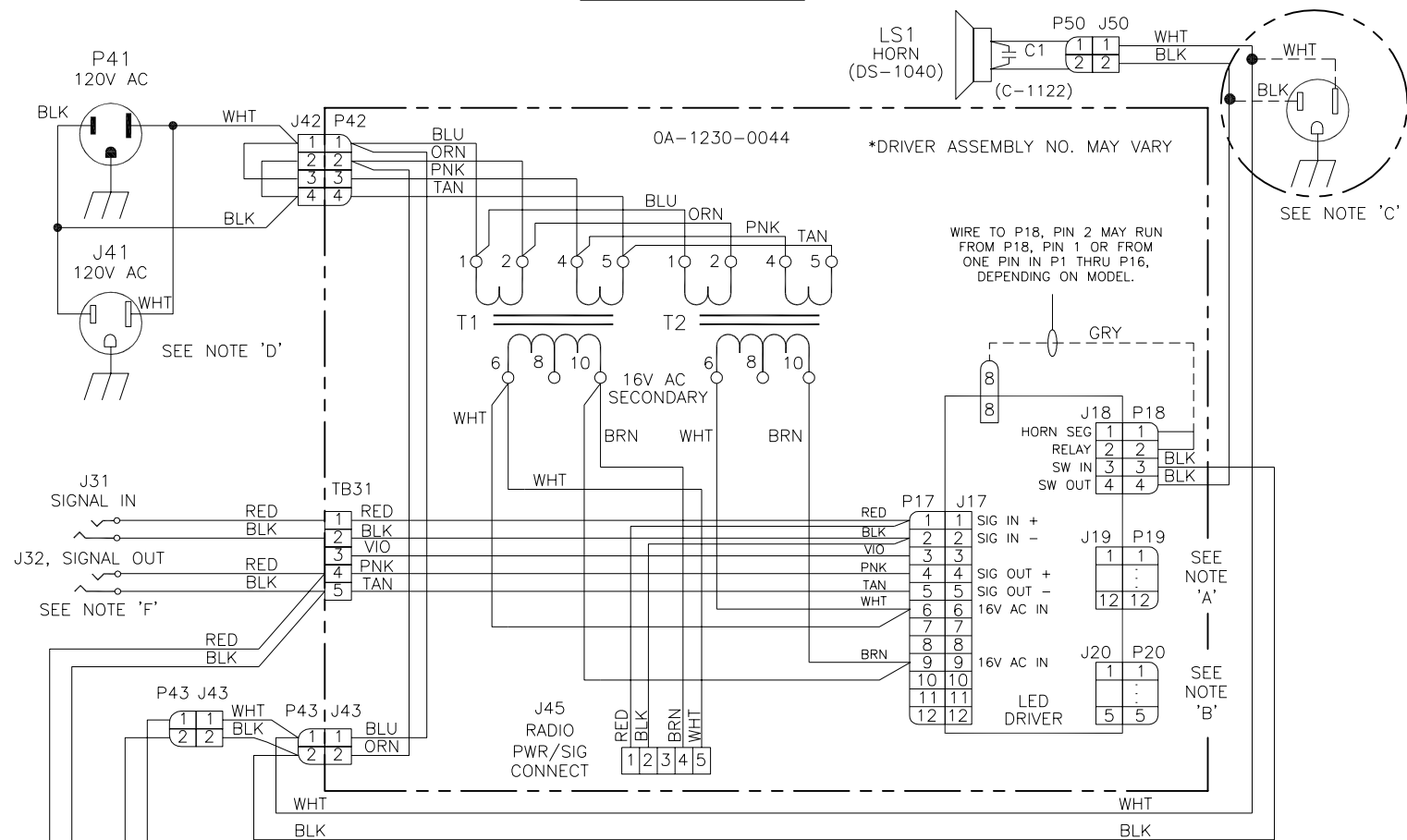


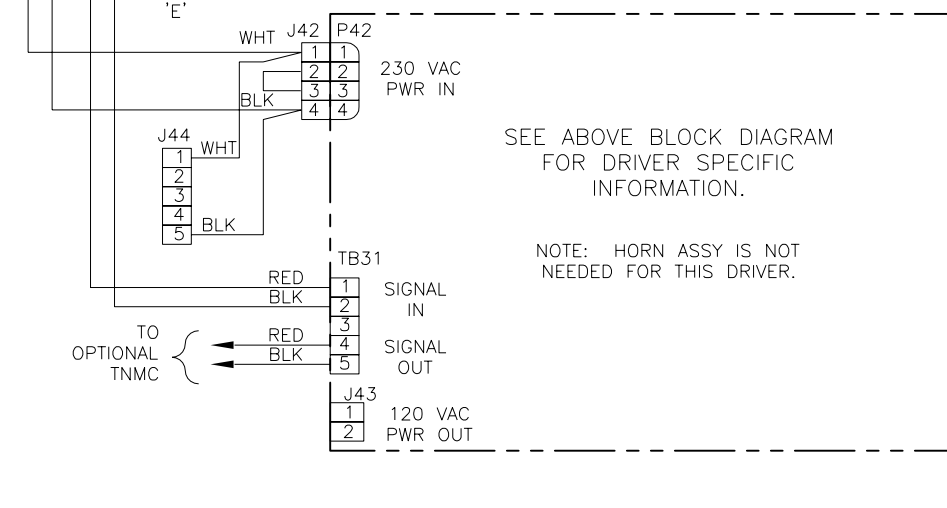
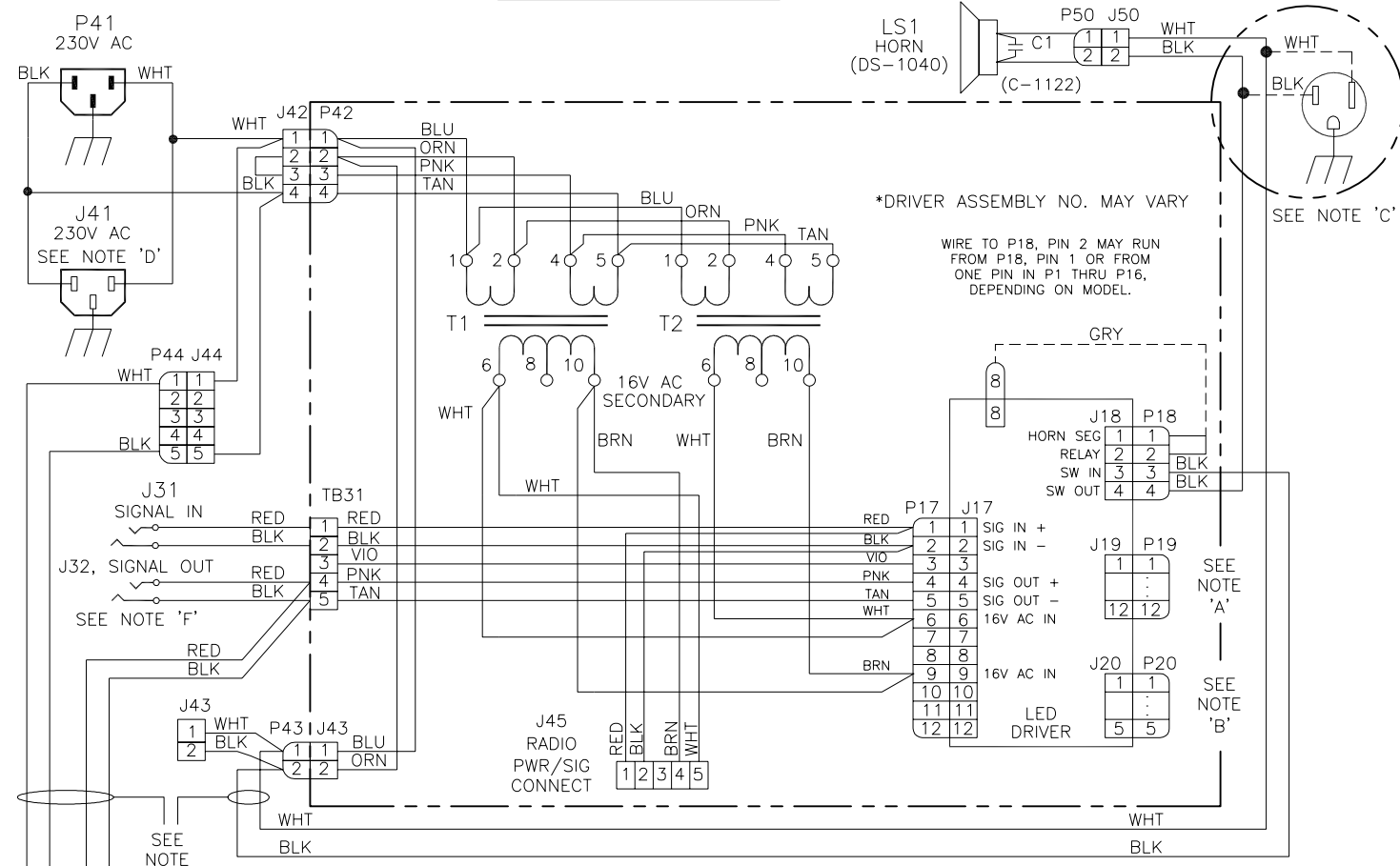
120V MODULE



- NOTE A:
12-PIN ADDRESS PLUG. JUMPER WIRES IN P19 SET THE ADDRESS PER MODEL SPECS.
- NOTE B:
5-PIN PROTOCOL PLUG. JUMPER WIRES IN P20 SET THE PROTOCOL PER SYSTEM SPECS.
- NOTE C:
J-1041 @1 & E-1047 @2, USED FOR EXTERNAL HORN APPLICATIONS. NOT AVAILABLE ON SOME MODELS.
- NOTE D:
POWER OUTLET IN 4-SIDED CONFIGURATION ONLY
- NOTE E:
THIS SCHEMATIC SHOWS THE INTERCONNECTION OF MULTIPLE DRIVERS. REFER TO THE FINAL ASSY PACKET FOR THE HARNESS PART NUMBERS.
- NOTE F:
NOT USED ON SOME MODELS.

SPECIFICATION LABEL DATA	
MODEL NO:	(PER ORDER)
VOLTS:	120 VAC, SINGLE PHASE
WATTS:	400
AMPS:	3.3

230V AC MODELS



- NOTE A:
12-PIN ADDRESS PLUG. JUMPER WIRES IN P19 SET THE ADDRESS PER MODEL SPECS.
- NOTE B:
5-PIN PROTOCOL PLUG. JUMPER WIRES IN P20 SET THE PROTOCOL PER SYSTEM SPECS.
- NOTE C:
J-1041 @1 & E-1047 @2, USED FOR EXTERNAL HORN APPLICATIONS. NOT AVAILABLE ON SOME MODELS.
- NOTE D:
POWER OUTLET IN 4-SIDED CONFIGURATION ONLY
- NOTE E:
THIS SCHEMATIC SHOWS THE INTERCONNECTION OF MULTIPLE DRIVERS. REFER TO THE FINAL ASSY PACKET FOR THE HARNESS PART NUMBERS.
- NOTE F:
NOT USED ON SOME MODELS.

SPECIFICATION LABEL DATA	
MODEL NO:	(PER ORDER)
VOLTS:	230 VAC, SINGLE PHASE
WATTS:	400
AMPS:	1.7

REV.	DATE	DESCRIPTION	BY	APPR.
04	12 MAR 03	CHANGED FROM A TO B SIZE INSERT 230 VAC SCHEMATIC.	RDS	MWM
03	13 FEB 03	MOVED TAP 8 TO A DOUBLE CRIMP ON TAP 10 ON TRANSFORMER T1 CONNECTED TO J45.	CME	
2	22NOV02	ADDED A SIGNAL OUT JACK FROM TB31.	NMB	
01	23 JAN 02	CHANGED TITLE FROM SCHEMATIC, 2 DRIVER TO SCHEMATIC, 16V 2 DRIVER, 120 VAC	ALG	

THE CONCEPTS EXPRESSED AND DETAILS SHOWN ON THIS DRAWING ARE CONFIDENTIAL AND PROPRIETARY. DO NOT REPRODUCE BY ANY MEANS, INCLUDING ELECTRONICALLY WITHOUT THE EXPRESSED WRITTEN CONSENT OF DAKTRONICS, INC. COPYRIGHT 2003 DAKTRONICS, INC.	
DAKTRONICS, INC. BROOKINGS, SD 57006	
PROJ:	INDOOR UNIFORM LED DIGIT
TITLE:	SCHEMATIC, 16V 2 DRIVER, 120 OR 230 VAC
DES. BY:	MMILLER
DRAWN BY:	MMILLER
DATE:	20 NOV 01
REVISION	APPR. BY:
SCALE:	1=1
1230-R03B-158859	