

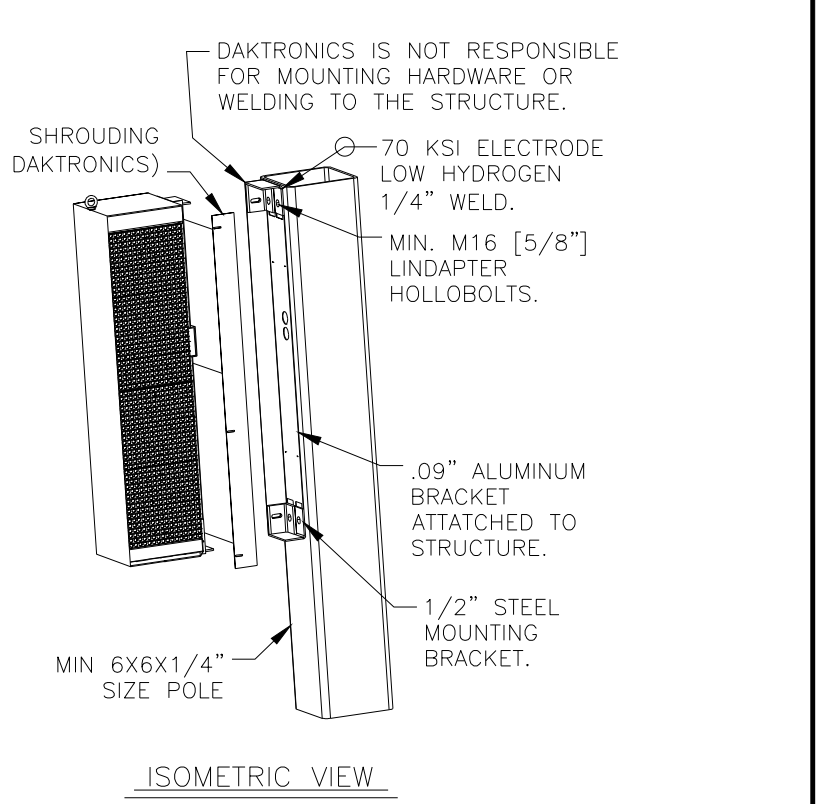
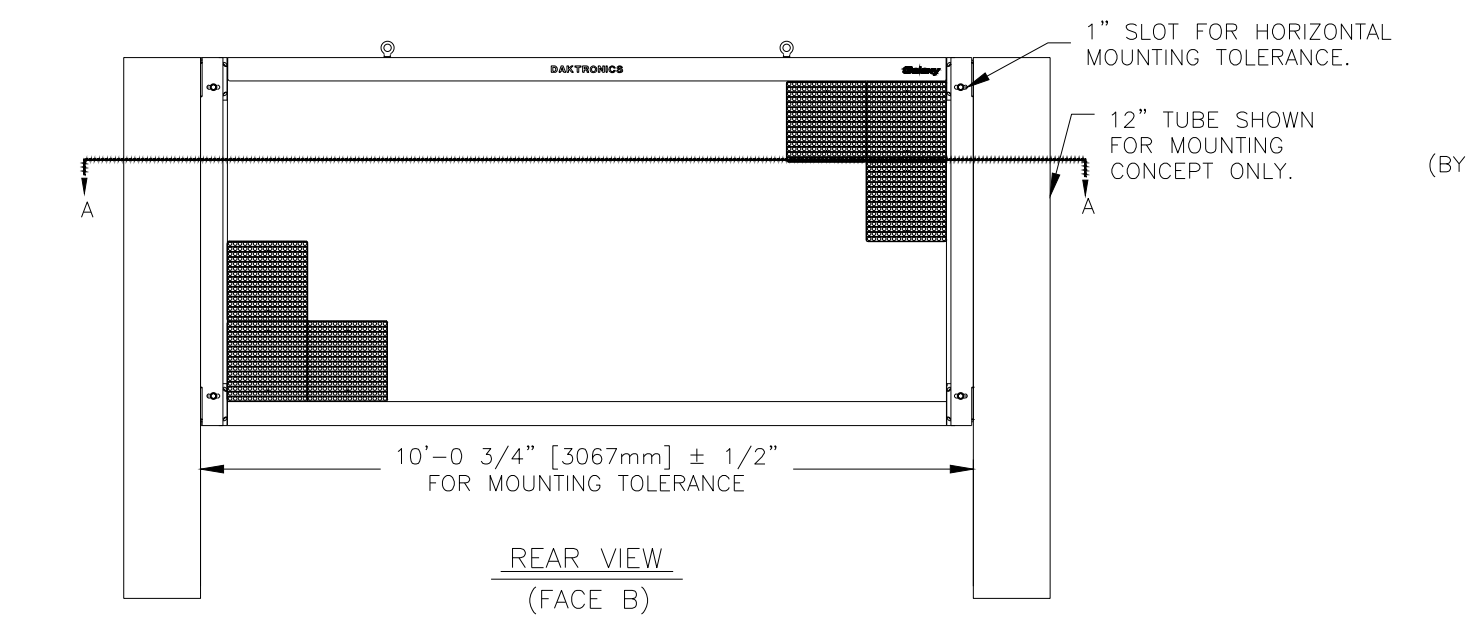
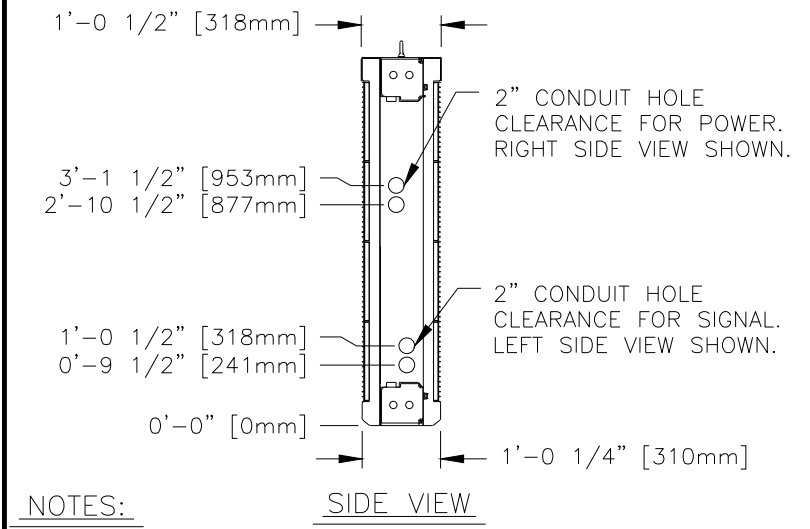
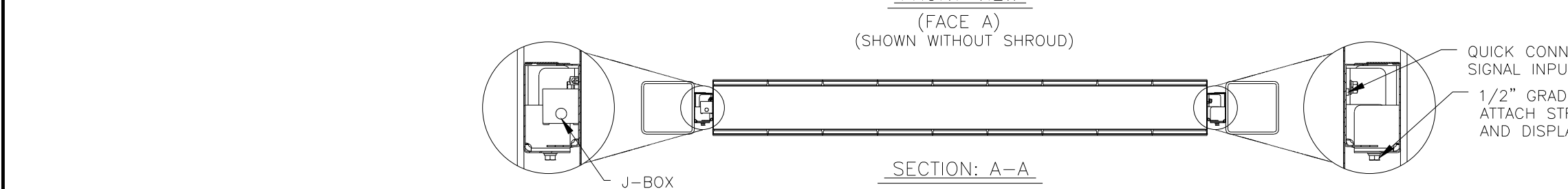
CHART 1

POWER REQUIREMENTS - DOUBLE FACE

TECHNOLOGY	MATRIX SIZE	WATTS	120VAC 60 Hz		
			AMPS	LINE 1 AMPS	LINE 2 AMPS
AF-3500	64X144				
	RED	2000		8.66	8.01
	AMBER	2580		10.27	11.23
	*RGB	3476		15.09	13.87
AF-3550	RGB	2920		12.71	11.63

*AF-3500 RGB INACTIVE AS OF AUGUST 2012.

3/4" CONDUIT HOLE WITH REMOVABLE PLUG FOR POWER TERMINATION TO INTERNAL LOAD CENTER FOR RGB L.E.D. COLOR. EXTERNAL JUNCTION BOX FOR POWER TERMINATION FOR RED OR AMBER L.E.D. COLOR. (SEE CHART 1 FOR POWER CALCULATIONS)



- NOTES:
- EYEBOLTS MAY NOT BE USED FOR PERMANENT INSTALLATION.
 - ALL MOUNTING BRACKETS MUST BE USED FOR DISPLAY INSTALLATION.
 - INTAKE AND EXHAUST AIR IS THROUGH BOTH FACES OF THE DISPLAY SO NO PORTION OF THE FACES MAY BE COVERED.
 - AIR INTAKE IS FILTERED. FILTERS MUST BE MAINTAINED FOR PROPER DISPLAY OPERATION.
 - ALL DIMENSIONS ARE IN FEET AND INCHES [MILLIMETERS].
 - DISPLAY IS ALL ALUMINUM CONSTRUCTION.
 - THIS DISPLAY IS SHIPPED AND INSTALLED AS A SINGLE UNIT.
 - DISPLAY CABINET COLOR IS SEMI-GLOSS BLACK.
 - FRONT ACCESS FOR SERVICE.
 - ESTIMATED WEIGHT IS: 730 LBS [332 KGS].
 - DISPLAY L.E.D. COLOR IS RED, AMBER, OR RGB.
 - POWER REQUIREMENTS ARE LISTED IN CHART 1 OF THIS DRAWING.
 - SIGN MAY BE MOUNTED BY 70 KSI ELECTRODE LOW HYDROGEN 1/4" WELD OR MOUNTED USING MIN. M16 [5/8"] LINDAPTER HOLLOBOLTS.
 - THE BLUE DOT INDICATES FACE A OF THE DISPLAY. POWER TERMINATION IS ACCESSIBLE FROM FACE A.
 - DAKTRONICS IS NOT RESPONSIBLE FOR THE MAIN ELECTRICAL DISCONNECT.
 - DAKTRONICS IS NOT RESPONSIBLE FOR THE MOUNTING HARDWARE OR THE INTEGRITY OF THE STRUCTURE THE DISPLAY IS MOUNTED TO.

DAKTRONICS, INC.
BROOKINGS, SD 57006
DO NOT SCALE DRAWING

THE CONCEPTS EXPRESSED AND DETAILS SHOWN ON THIS DRAWING ARE CONFIDENTIAL AND PROPRIETARY. DO NOT REPRODUCE BY ANY MEANS WITHOUT THE EXPRESSED WRITTEN CONSENT OF DAKTRONICS, INC. COPYRIGHT 2013 DAKTRONICS, INC.

PROJ: GALAXY AF-35** 20MM DISPLAYS
TITLE: SHOP DWG, AF-35**-64X144-20-DF
DESIGN: TWHITEH DRAWN: BHAROLD DATE: 08OCT08
SCALE: 1=30

SHEET	REV	JOB NO:	FUNC-TYPE-SIZE
	01	1473	E-10-B

721260

REV	DATE:	UPDATED POWER SPEC TABLE TO REFLECT 3550 CHANGE	BY:	KMA
01	13 MAY 13			