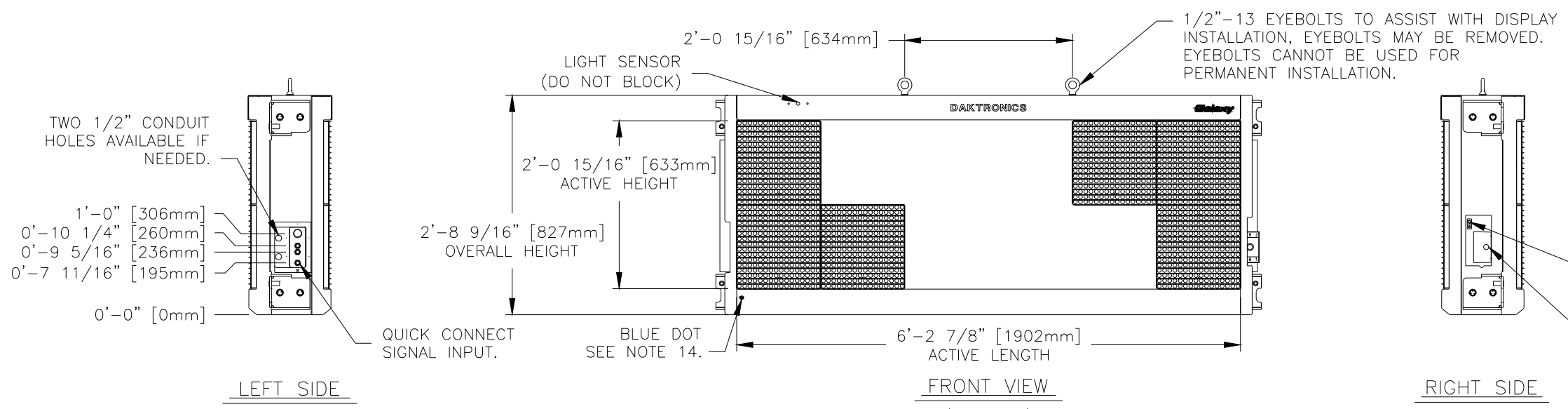


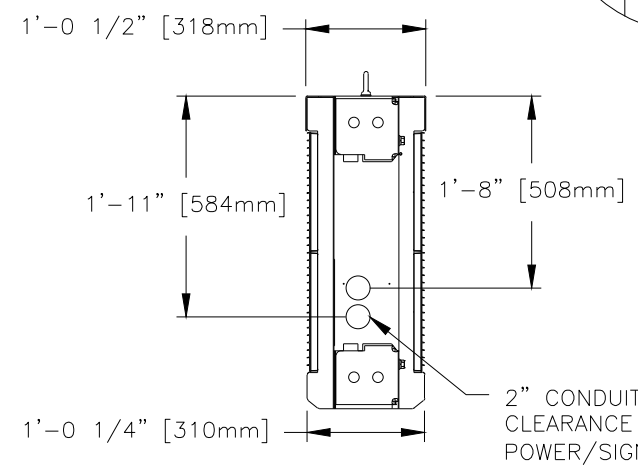
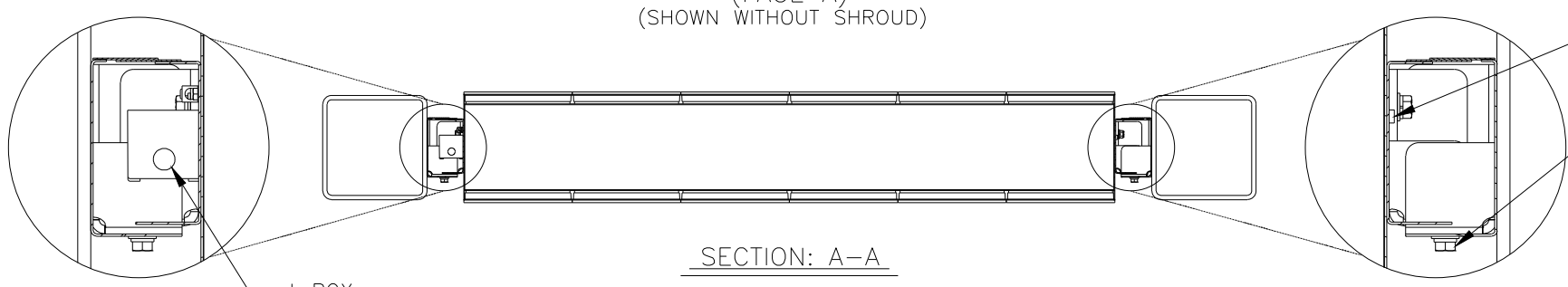
CHART 1

TECHNOLOGY	MATRIX SIZE	WATTS	POWER REQUIREMENTS - DOUBLE FACE			
			120VAC 60 Hz	120/240VAC, 60 Hz (3 WIRE + GND)		240VAC 50 Hz
			AMPS	LINE 1 AMPS	LINE 2 AMPS	AMPS
32X96	RED	735	6.13			3.06
	AMBER	929	7.74			3.87
	*RGB	1303	10.86			5.43
3550	RGB	1071	8.93			4.46

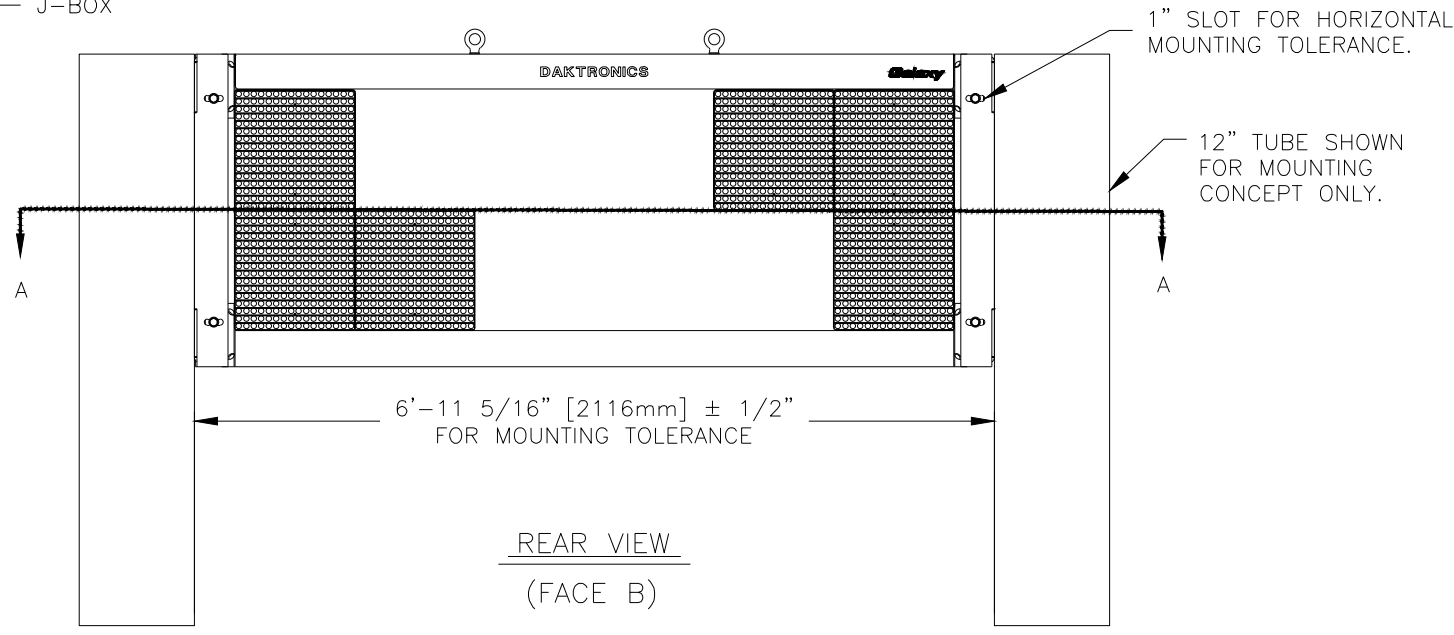
*AF-3500 RGB INACTIVE AS OF 23 AUGUST 2012.



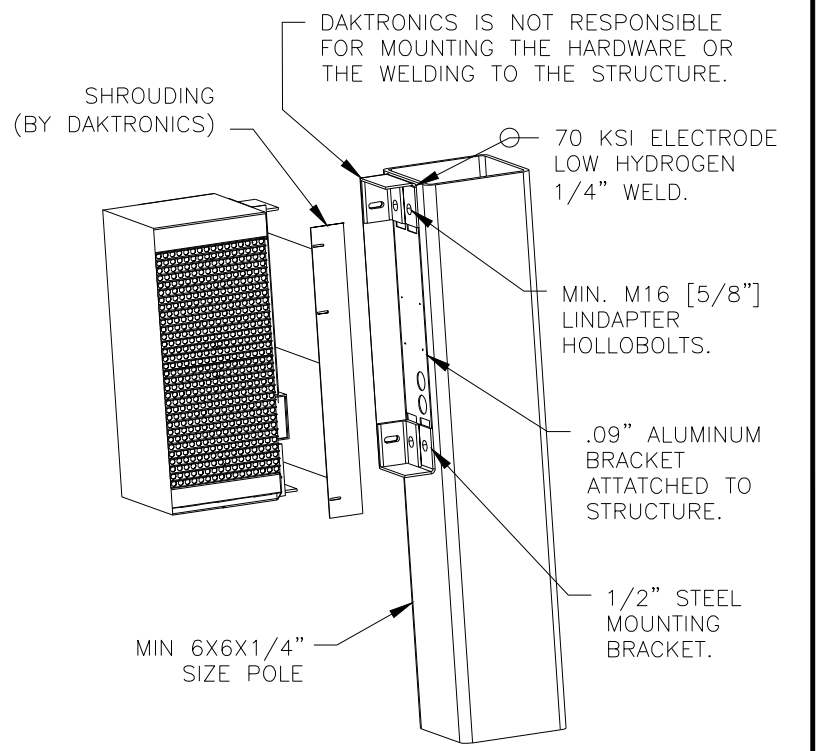
GROUND LUG FOR GROUND ROD CONNECTION.
ENTRANCE FOR POWER TERMINATION TO INTERNAL LOAD CENTER THROUGH J-BOX. (SEE CHART 1 FOR POWER CALCULATIONS).



SIDE VIEW



REAR VIEW (FACE B)



ISOMETRIC VIEW

- NOTES:
- EYEBOLTS MAY NOT BE USED FOR PERMANENT INSTALLATION.
 - ALL MOUNTING BRACKETS MUST BE USED FOR DISPLAY INSTALLATION.
 - INTAKE AND EXHAUST AIR IS THROUGH BOTH FACES OF THE DISPLAY SO NO PORTION OF THE FACES MAY BE COVERED.
 - AIR INTAKE IS FILTERED. FILTERS MUST BE MAINTAINED FOR PROPER DISPLAY OPERATION.
 - ALL DIMENSIONS ARE IN FEET AND INCHES [MILLIMETERS].
 - DISPLAY IS ALL ALUMINUM CONSTRUCTION.
 - THIS DISPLAY IS SHIPPED AND INSTALLED AS A SINGLE UNIT.
 - DISPLAY CABINET COLOR IS SEMI-GLOSS BLACK.
 - FRONT ACCESS FOR SERVICE.
 - ESTIMATED WEIGHT IS: 290 LBS [132 KGS].
 - DISPLAY L.E.D. COLOR IS RED, AMBER, OR RGB.
 - POWER REQUIREMENTS ARE LISTED IN CHART 1 OF THIS DRAWING.
 - SIGN MAY BE MOUNTED BY 70 KSI ELECTRODE LOW HYDROGEN 1/4" WELD OR MOUNTED USING MIN. M16 [5/8"] LINDAPTER HOLLOBOLTS.
 - THE BLUE DOT INDICATES FACE A OF THE DISPLAY. POWER TERMINATION IS ACCESSIBLE FROM FACE A.
 - DAKTRONICS IS NOT RESPONSIBLE FOR THE MAIN ELECTRICAL DISCONNECT.
 - DAKTRONICS IS NOT RESPONSIBLE FOR THE MOUNTING HARDWARE OR THE INTEGRITY OF THE STRUCTURE THE DISPLAY IS MOUNTED TO.

<p>DAKTRONICS, INC. BROOKINGS, SD 57006 DO NOT SCALE DRAWING</p>	<p>THE CONCEPTS EXPRESSED AND DETAILS SHOWN ON THIS DRAWING ARE CONFIDENTIAL AND PROPRIETARY. DO NOT REPRODUCE BY ANY MEANS WITHOUT THE EXPRESSED WRITTEN CONSENT OF DAKTRONICS, INC. COPYRIGHT 2012 DAKTRONICS, INC.</p>		
	<p>PROJ: GALAXY AF-35** 20MM DISPLAYS TITLE: SHOP DWG, AF-35** - 32X96-20-DF</p>		
DESIGN: TWHITEH	DRAWN: BHAROLD	DATE: 02 OCT 08	
SCALE: 1=20		SHEET: 01 OF 01	REV: 01
JOB NO: P1473		FUNC-TYPE-SIZE: E-10-B	
719502			

REV 01	DATE: 28 SEP 12	UPDATED POWER REQUIREMENTS TO REFLECT 3550 CHANGE	BY: RVB
--------	-----------------	---	---------