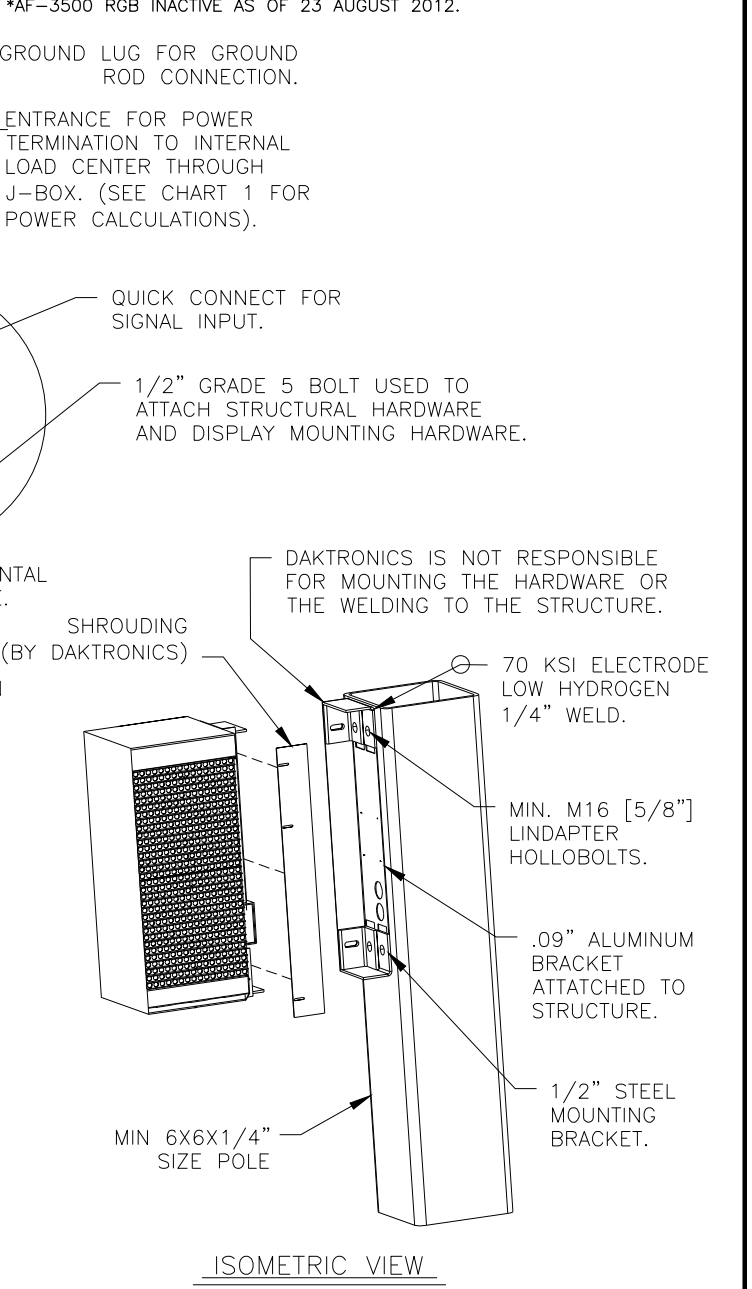
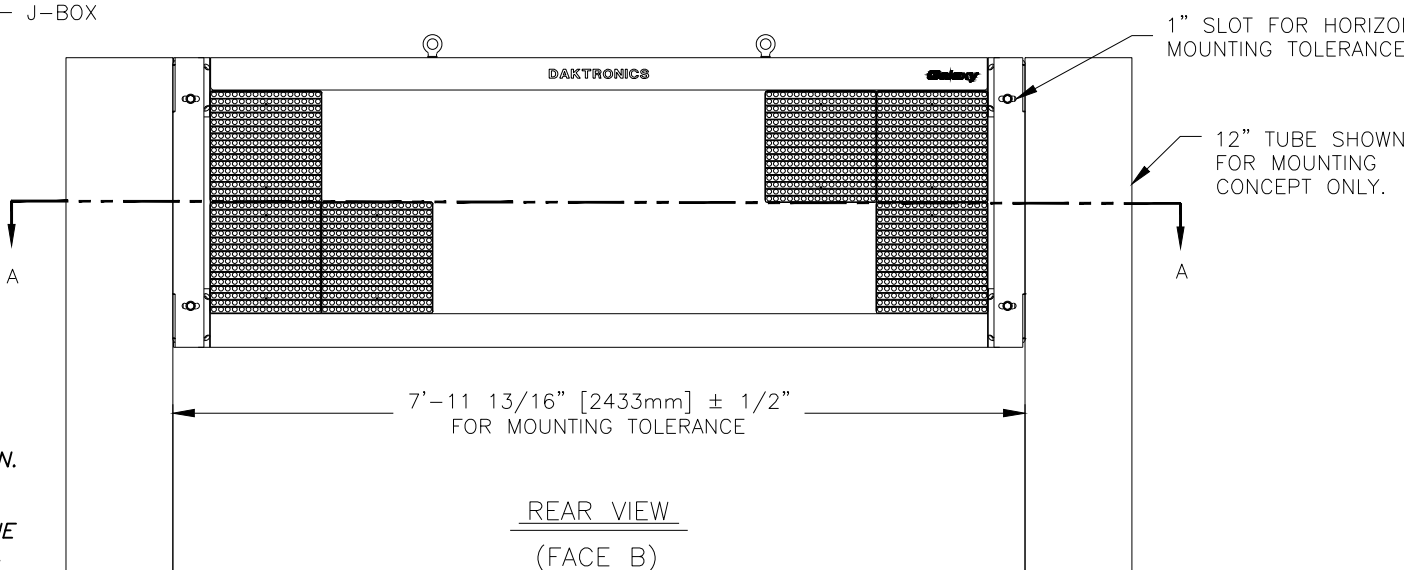
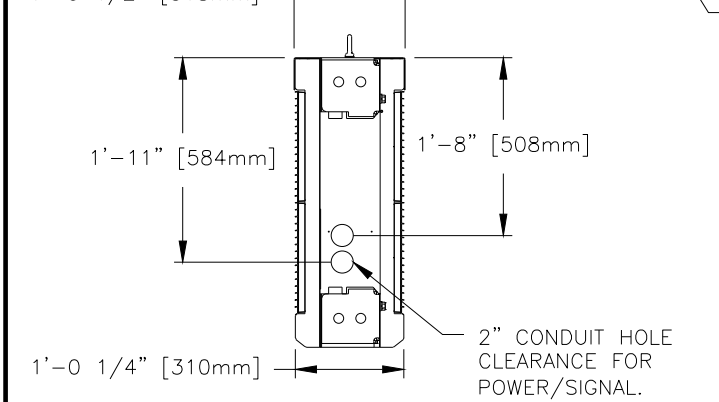
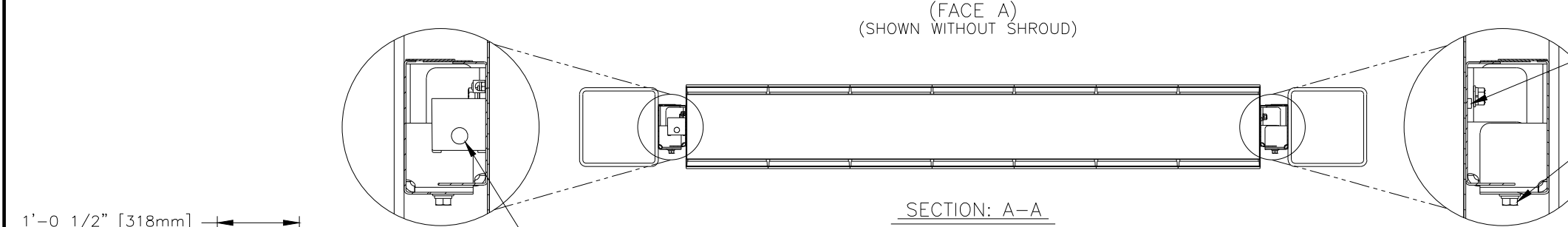


CHART 1

TECHNOLOGY	MATRIX SIZE	WATTS	POWER REQUIREMENTS - DOUBLE FACE			
			120VAC 60 Hz	120/240VAC, 60 Hz (3 WIRE + GND)	240VAC 50 Hz	
			AMPS	LINE 1 AMPS	LINE 2 AMPS	AMPS
AF-3500	32X112					
	RED	815	6.79			3.40
	AMBER	1041	8.67			4.34
	*RGB	1469		6.70	5.55	6.12
AF-3550	RGB	1211		5.44	4.65	5.04

*AF-3500 RGB INACTIVE AS OF 23 AUGUST 2012.



- NOTES:
- EYEBOLTS MAY NOT BE USED FOR PERMANENT INSTALLATION.
 - ALL MOUNTING BRACKETS MUST BE USED FOR DISPLAY INSTALLATION.
 - INTAKE AND EXHAUST AIR IS THROUGH BOTH FACES OF THE DISPLAY SO NO PORTION OF THE FACES MAY BE COVERED.
 - AIR INTAKE IS FILTERED. FILTERS MUST BE MAINTAINED FOR PROPER DISPLAY OPERATION.
 - ALL DIMENSIONS ARE IN FEET AND INCHES [MILLIMETERS].
 - DISPLAY IS ALL ALUMINUM CONSTRUCTION.
 - THIS DISPLAY IS SHIPPED AND INSTALLED AS A SINGLE UNIT.
 - DISPLAY CABINET COLOR IS SEMI-GLOSS BLACK.
 - FRONT ACCESS FOR SERVICE.
 - ESTIMATED WEIGHT IS: 330 LBS [150 KGS].
 - DISPLAY L.E.D. COLOR IS RED, AMBER, OR RGB.
 - POWER REQUIREMENTS ARE LISTED IN CHART 1 OF THIS DRAWING.
 - SIGN MAY BE MOUNTED BY 70 KSI ELECTRODE LOW HYDROGEN 1/4" WELD OR MOUNTED USING MIN. M16 [5/8"] LINDAPTER HOLLOBOLTS.
 - THE BLUE DOT INDICATES FACE A OF THE DISPLAY. POWER TERMINATION IS ACCESSIBLE FROM FACE A.
 - DAKTRONICS IS NOT RESPONSIBLE FOR THE MAIN ELECTRICAL DISCONNECT.
 - DAKTRONICS IS NOT RESPONSIBLE FOR THE MOUNTING HARDWARE OR THE INTEGRITY OF THE STRUCTURE THE DISPLAY IS MOUNTED TO.

THE CONCEPTS EXPRESSED AND DETAILS SHOWN ON THIS DRAWING ARE CONFIDENTIAL AND PROPRIETARY. DO NOT REPRODUCE BY ANY MEANS, INCLUDING ELECTRONICALLY WITHOUT THE EXPRESSED WRITTEN CONSENT OF DAKTRONICS, INC. COPYRIGHT 2008 DAKTRONICS, INC.

DAKTRONICS, INC. BROOKINGS, SD 57006

PROJ: GALAXY AF-35** 20MM DISPLAYS

TITLE: SHOP DWG, AF-3500-32X112-20-DF

DES. BY: TWHITEH DRAWN BY: BHAROLD DATE: 01OCT08

REVISION	APPR. BY:	1473-E10B-695020
01	SCALE: 1=20	

REV	DATE	DESCRIPTION	BY	APPR.
01	24 AUG 12	UPDATED POWER SPEC TABLE TO REFLECT 3550 CHANGE	RVB	