



ALL SPORT® CONTROLLER BATTERY PACK PRODUCT SPECIFICATIONS

Daktronics offers a battery option for selected All Sport wireless controllers. The battery option is used mainly in conjunction with the radio controllers in order to provide a remote control system where signal and power lines are eliminated. The battery is an external pack housed in a black cloth bag with carrying strap and a 12-volt output adapter.

The kit will include:

1. An AC wall-pack adapter that allows the end user to operate the console from a standard wall outlet in case the battery is inoperable.
2. A battery charger.

When fully charged, the battery will operate the controller for 24 hours. However, it is recommended that the battery be recharged after every use. The smart charger plugs directly into the battery pack and can be left plugged into the battery when not in use. The charger monitors the battery voltage and charges the unit accordingly.

PRODUCT SPECIFICATIONS

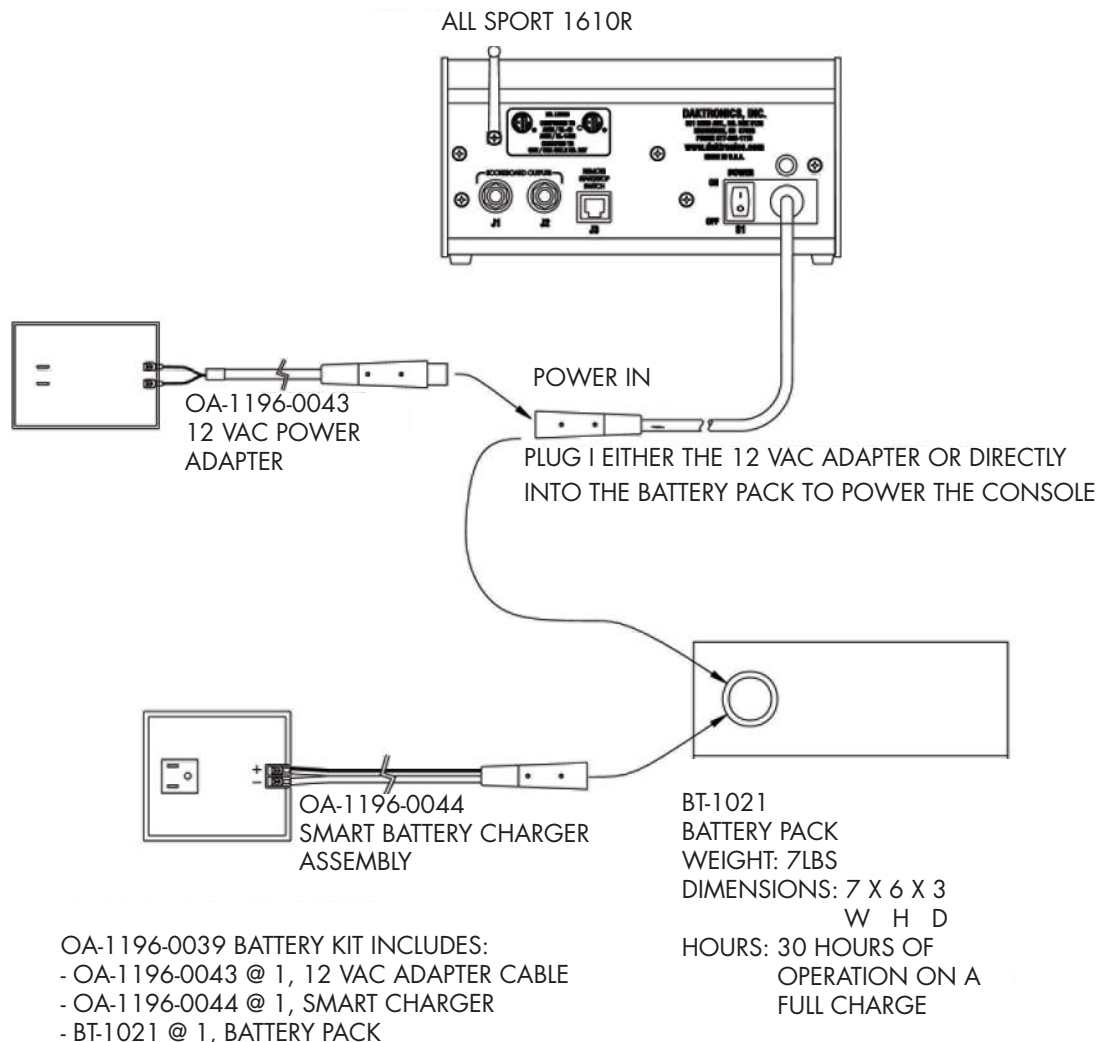
VOLTS:	12 VDC
AMPS:	7.0 AH
OPERATION TIME:	24 Hours (fully charged)
WEIGHT:	7 lb
DIMENSIONS:	Height 7", Width 6", Depth 3" (178 mm, 152 mm, 76 mm)
CASE:	Black cloth with carrying strap

The All Sport battery option is compatible with these consoles:

All Sport 3110-R (OA-1196-0042)

All Sport 1610-R (OA-1196-0051)

ALL SPORT® CONTROLLER BATTERY PACK PRODUCT SPECIFICATIONS (CONTINUED)



For additional information on Daktronics scoring/timing products, call 605-697-4300 or 800-325-8766.

All Sport® is a trademark of Daktronics, Inc.

SL060106-04457 Page 2 of 2 Copyright © 2004-2006 Daktronics, Inc.

For faster service call the appropriate sales group toll-free:

800-DAKTRONICS (800-325-8766) General Sales
888-DAK SCORE (888-325-7267) High School/Park & Rec Sales
888-DAK SIGN (888-325-7446) Commercial Sales
800-558-9526 Business Communications Sales
888-DAK TIME (888-325-8463) College/University Sales
888-CHRONDEK (888-247-6633) Auto Racing Sports

