



SPECIFICATIONS

Model number	PCX-6100-35MN-3	Vertical viewing angle	50° (25° off center min)
LED technology	Through-hole LEDs	LED lifetime	75,000 hours (half brightness)
Pixel configuration	1 red, 1 green, 1 blue LED	Intensity/element	6.80 candelas
Pixels/element	1	Power/element	0.15 watts avg, 0.60 watts max
Puck dimensions (H x W)	35mm x 50mm (1.18 in x 1.97 in)	Color processing	10-bit (1.07 billion colors)
Element weight (no mounting)	0.05 kg/puck (0.125 lbs/puck)	Dimming control	5-bit (32 levels)
Horizontal viewing angle (matrix)	70° (35° off center)	Service access	Front or rear
Vertical viewing angle (matrix)	140° (70° off center min)	Operating temperature	-34° to 49° C (-30° to 120° F)
Horizontal viewing angle	110° (55° off center min)	Environmental rating	IP 67

Cross-Section

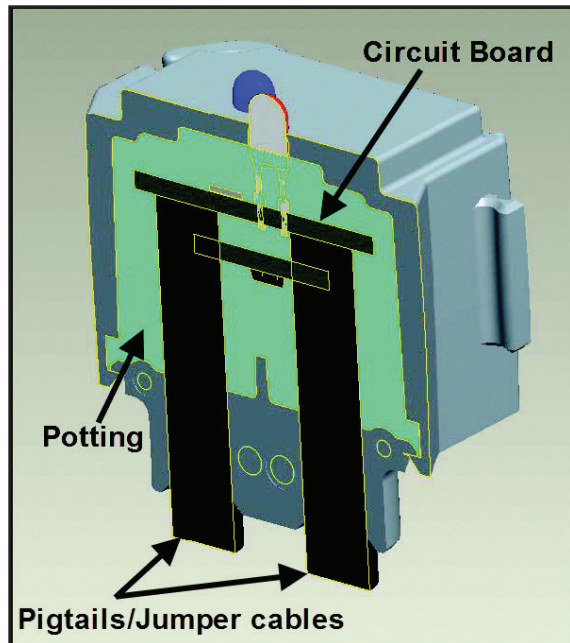


Figure 1: PCX-35 High Density Cross-Section

Mounting Methods

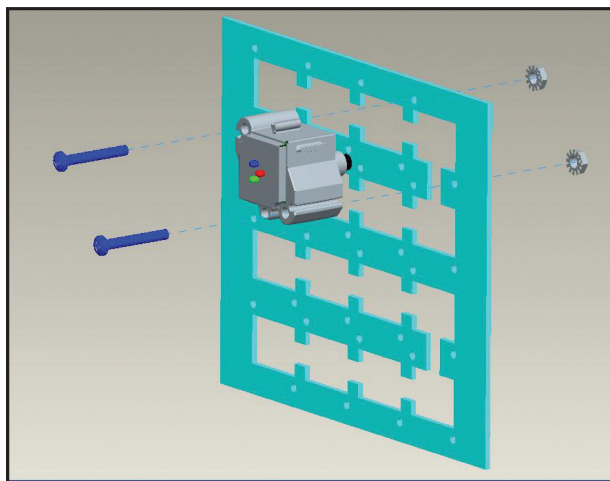


Figure 2: Mounting to Front of Face Sheet

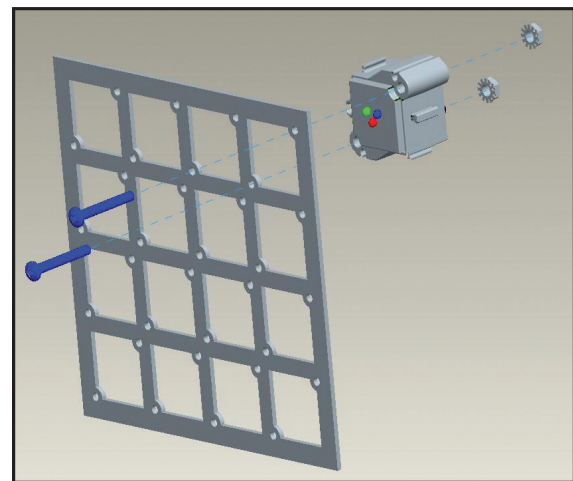


Figure 3: Mounting to Rear of Face Sheet

Mounting and Connecting Options

The PCX-35 High Density elements have the ability to interlock together, as seen in **Figure 4**. To achieve this orientation, interlocking tabs on the elements are fitted together. No hardware is required.

Elements can also be panel-mounted to a face sheet, as seen in **Figure 5**.

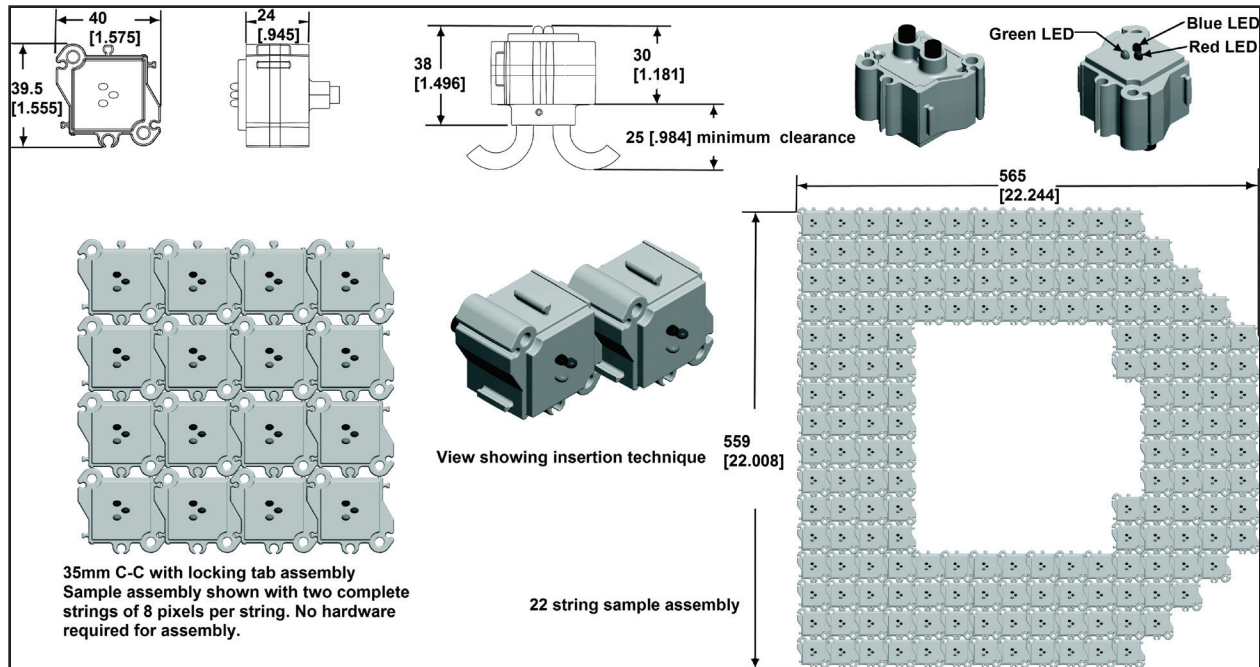


Figure 4: PCX-35 High Density Interlock Tab Style

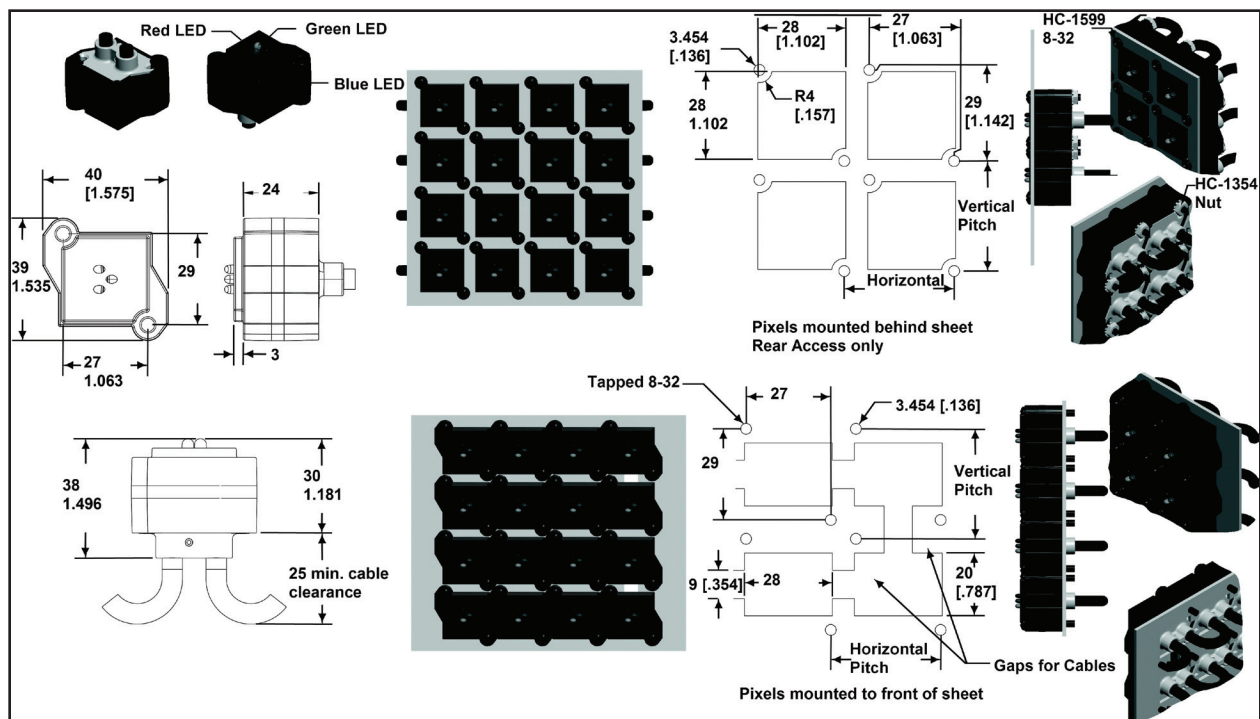


Figure 5: PCX-35 High Density Panel Mount Style

